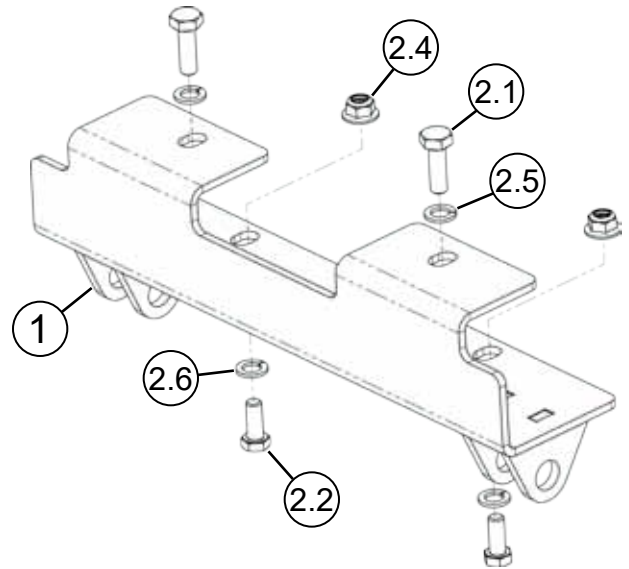


ODES DOMINATOR

Plow Mount

PART #106425

Kit Components:		
Item #	Qty.	Description
1	1	Plow Mount
2	1	Hardware Kit (HK-134)
2.1	2	M10-1.25 X 30 Hex Bolt
2.2	2	3/8"-16 X .88 Hex Bolt
2.3	2	3/8"-16 X .75 Hex Flange Bolt SERR (not used)
2.4	2	3/8"-16 Hex Flange Nylock Nut
2.5	2	M10 Lock Washer
2.6	2	3/8" Lock Washer



INSTALLATION INSTRUCTIONS

Note: Make sure all hardware needed to complete this mount is in the package. Thoroughly read through and understand the instructions before installing.

1. Remove and discard bolts (A) securing the bottom of the front bumper to the frame of the machine as shown in **Figure 1**.
2. Slide plow mount (1) under the front bumper and over the frame as shown in **Figure 2**.
3. Secure top of the plow mount and front bumper by replacing OEM bolts (A) with bolts (2.1) and washers (2.5).
4. Secure bottom of plow mount (1) using bolts (2.2) washers (2.6) and nuts (2.4) as shown in **Figure 2**.
5. Tighten all hardware evenly.

