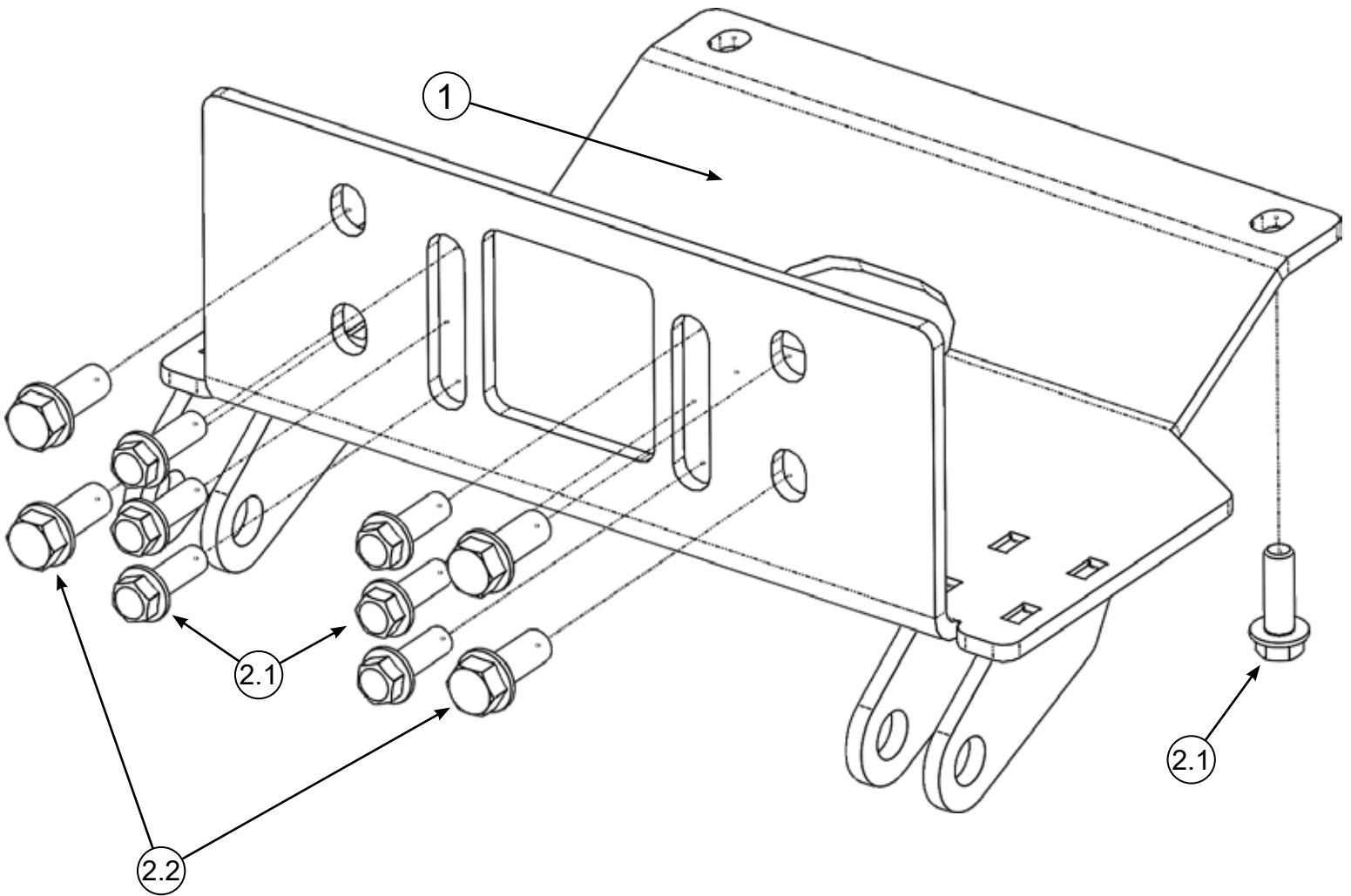


KIOTI K9 PLOW MOUNT

Plow Mount

PART #106435

Kit Components:		
Item #	Qty.	Description
1	1	Plow Mount
2	1	Hardware Kit HK-419
2.1	8	M10-1.25 X 30 Hex Bolt Flange GR8.8
2.2	4	M12-1.75 X 40 Hex Bolt Flange GR8.8



INSTALLATION INSTRUCTIONS

Note: Make sure all hardware needed to complete this mount is in the package. Thoroughly read through and understand the instructions before installing.

1. Remove the 6 bolts (A) that attach the front receiver to the frame. Set the receiver aside until later. (Figure 1)
2. Remove the 2 rear bolts (B) from inside the frame. (Figure 1)

***Note* All 8 bolts from step 1 and 2 will not be reused.**

3. Place plow mount (1) up to the mounting locations and start the 4 front bolts (2.2, Figure 2). Do not fully tighten.
4. Use 2 bolts (2.1, Figure 2) to attach the rear of the mount to the frame. These bolts and the bolts from step 3 can be tightened evenly.
5. Attach the front receiver through the front of the plow mount using bolts (2.1) provided with the kit. Once all of these bolts are started, they can be tightened evenly as shown in Figure 2

