

MANUAL ANGLING KIT

Plow Accessory

PART #106530 Rev A

Kit Components:

Item #	Qty.	Description
1	2	Outer Manual Adjustment Tube (106003)
2	2	Inner Manual Adjustment Tube (106004)
3	2	2-Pack Safety Pin (Kit 105188)
4	2	Hardware Kit HK-381
4.1	2	M14-2.00 X 80mm Hex Bolt GR 8.8 Zinc
4.2	*12	M14 Flat Washer Zinc *not all washers are used
4.3	2	M14-2.00 Hex Nut Nylock Zinc

Note: Make sure all hardware needed to complete this mount is in the package. Thoroughly read through and understand the instructions before installing.

Installation Instructions

1. Assemble Inner Tube (2) into Outer Tube (1) and lock into place with 2 Safety Pins (3). See **Figures 1 & 2**.
2. Place Tube Assembly into the Actuator Brackets and secure with Hardware (4.1 & 4.3). Use Washers (4.2) on the outside of the Actuator Brackets as shown in **Figure 2**.

*Do not overtighten! Bolts should spin by hand.

Figure 2

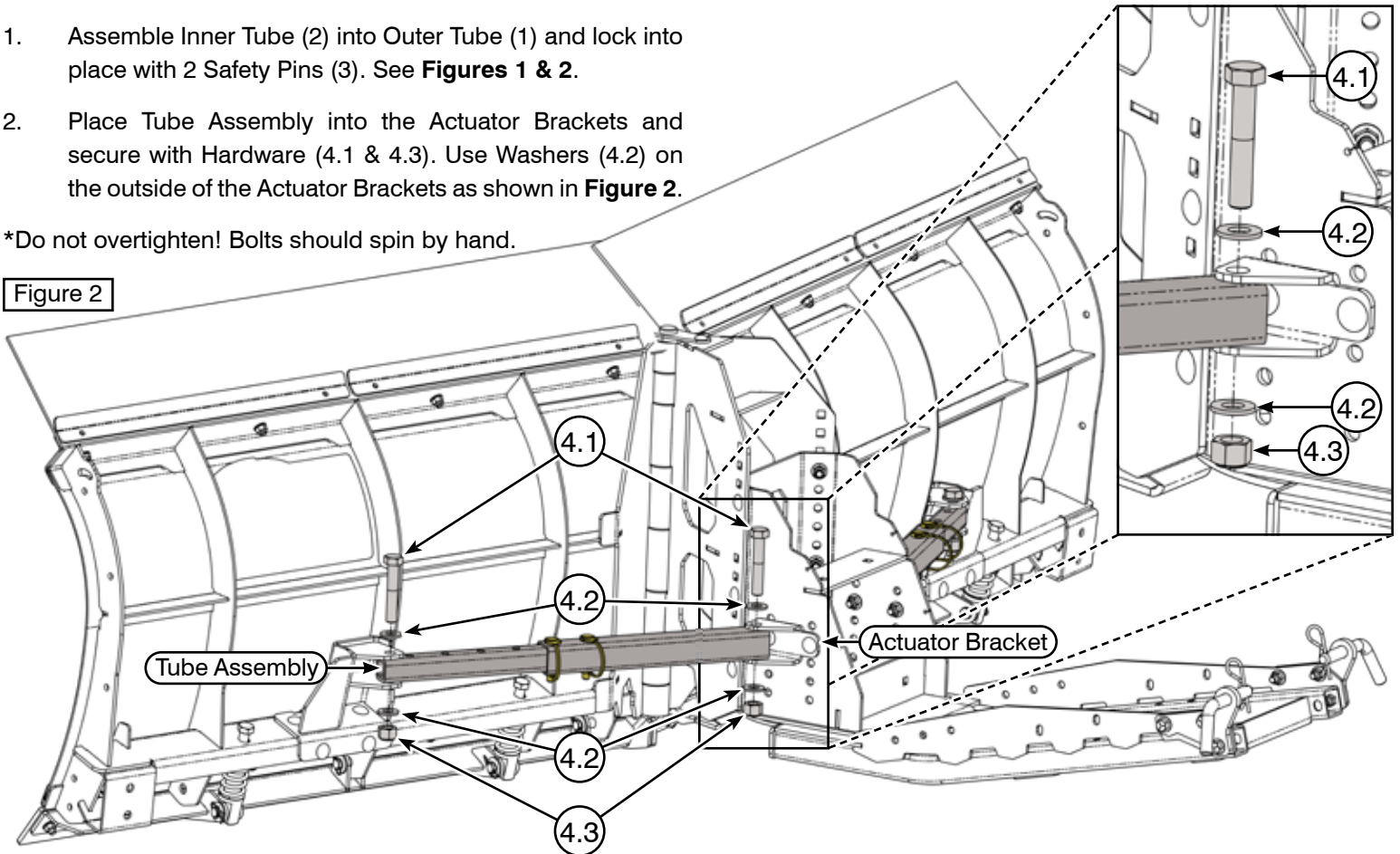


Figure 1

Two Manual Tubes Included

