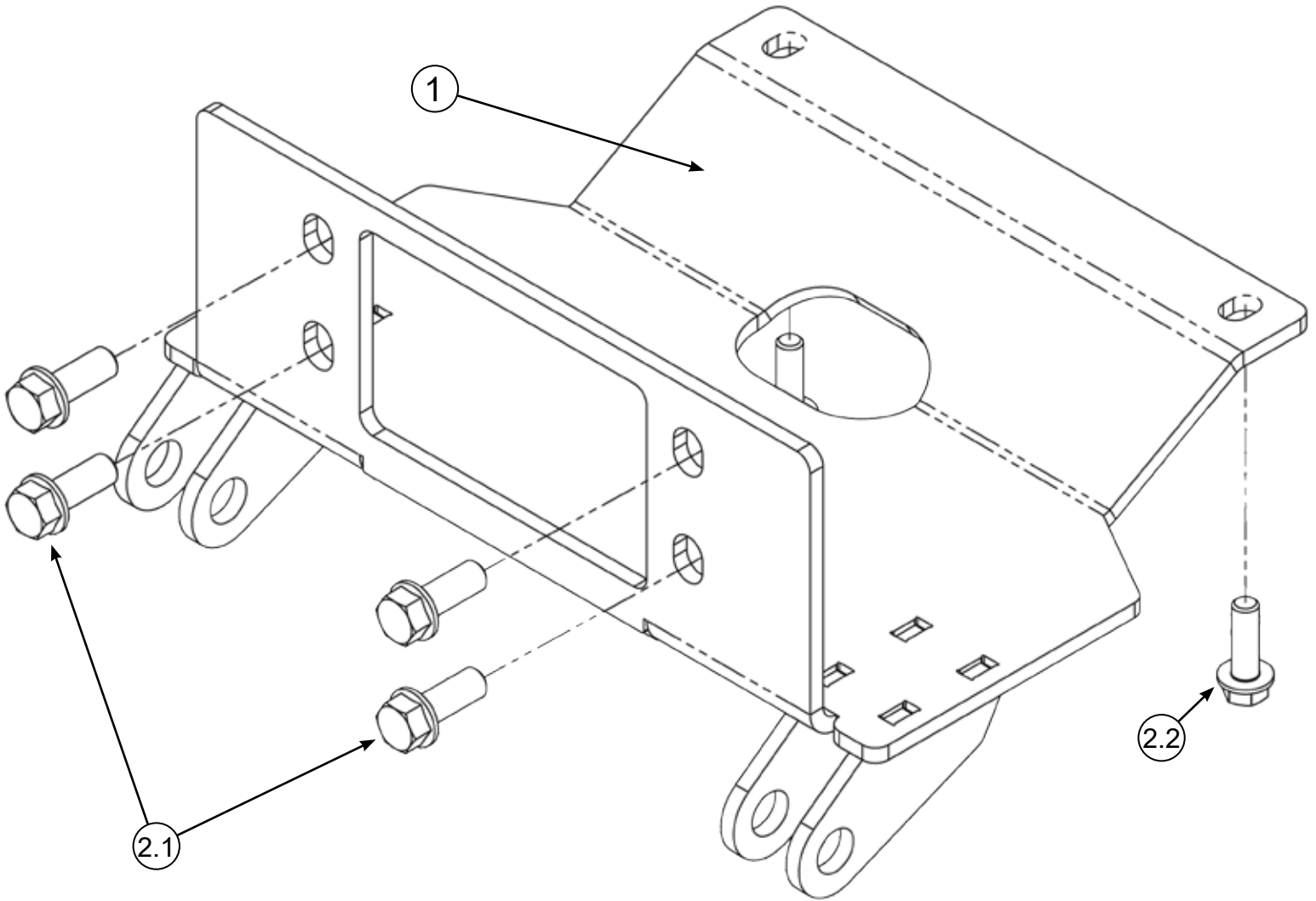


KIOTI K9

Plow Mount

PART #106595

Kit Components:		
Item #	Qty.	Description
1	1	Plow Mount
2	1	Hardware Kit HK-419
2.1	4	M12-1.75 X 30 Hex Bolt Flange GR8.8
2.2	2	M10-1.25 X 30 Hex Bolt Flange GR8.8 (6 not used)



INSTALLATION INSTRUCTIONS

Note: Make sure all hardware needed to complete this mount is in the package. Thoroughly read through and understand the instructions before installing.

1. Remove the 2 bolts (A) located just behind the front differential as shown in **Figure 1**. These bolts will not be reused.
2. Place plow mount (1) up to the frame, allowing the receiver to protrude through the mount as shown in **Figure 2**. Install bolts (2.1), do not fully tighten.
3. Use bolts (2.2) to attach the rear of the mount to the frame as shown in **Figure 2**.
4. Once all of these bolts are started, they can be tightened evenly.

