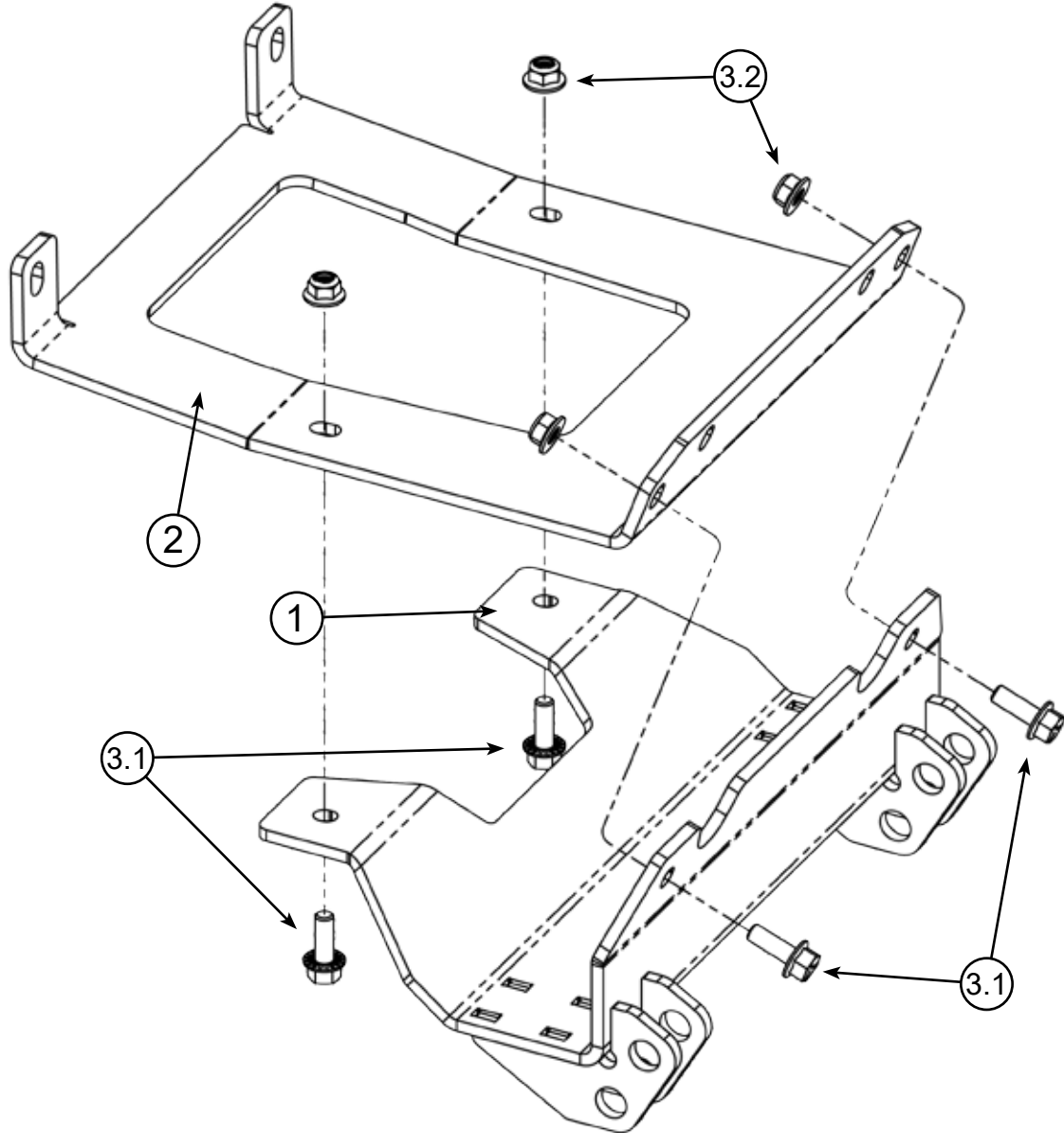


POLARIS XPEDITION

Plow Mount PART #106615



| Kit Components: | | |
|-----------------|------|--|
| Item # | Qty. | Description |
| 1 | 1 | Plow Mount |
| 2 | 1 | Frame Mount |
| 3 | 1 | Hardware Kit HK-417 |
| 3.1 | 4 | 3/8"-16 X 1.00" Hex Bolt Flange Serrated GR5 |
| 3.2 | 4 | 3/8"-16 Hex Nut Flange Nylock GR5 |



INSTALLATION INSTRUCTIONS

Note: Make sure all hardware needed to complete this mount is in the package. Thoroughly read through and understand the instructions before installing.

1. Locate the lower tow bracket bolts (A) shown in **Figure 1**, and remove them from the machine. This hardware will be reused.
2. Safely jack up the machine to take the pressure off of the A-Arms. Remove the rear bolts (B) from the lower A-Arms as shown in **Figure 1**. This hardware will be reused.
3. Place the Frame Mount (2) on the machine as shown in **Figure 2** and loosely secure the front with Bolts (A), removed in Step 1.
4. Reinstall bolts (B), removed in Step 2, through the Frame Mount (2) and through the original location on the lower A-Arm as shown in **Figure 2**.
5. Tighten hardware evenly according to manufactures specification
6. Use hardware (3.1 and 3.2) to attach Plow Mount (1) onto the Frame Mount (2) as shown in **Figure 3** and the **Exploded Diagram** on the front page.

Note: Plow Mount (1) is designed to be removed in the off season so you don't lose ground clearance.

7. Tighten Hardware (3.1 and 3.2) evenly.

