

Winch Display Stand

PART # 110400

Display Stand

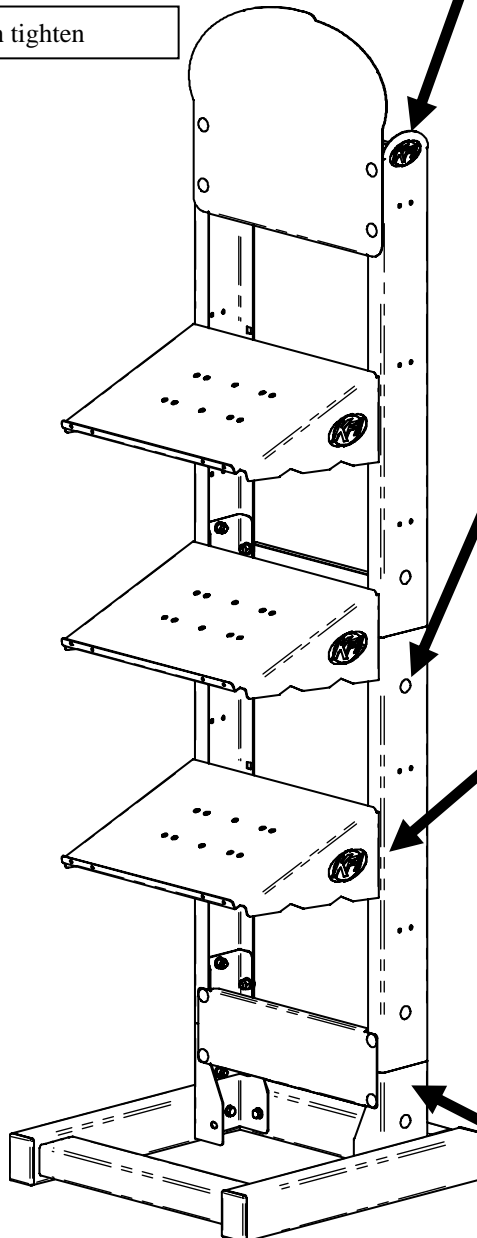
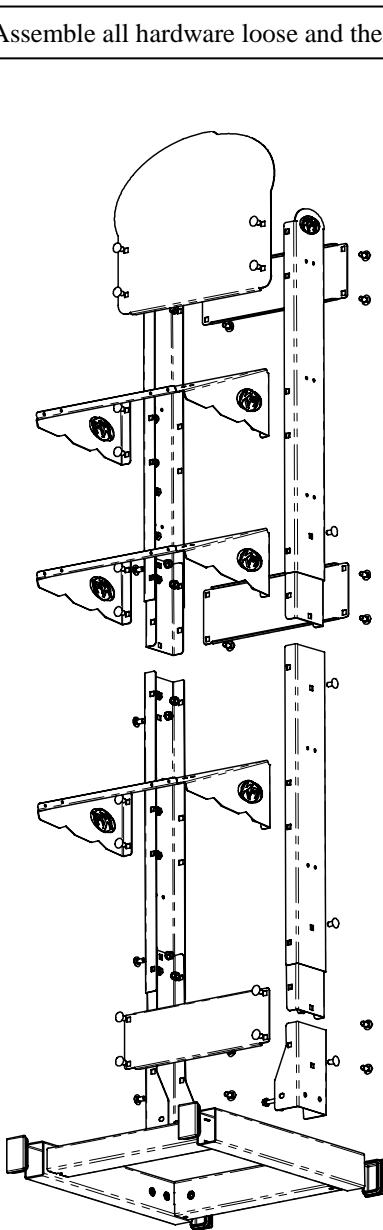
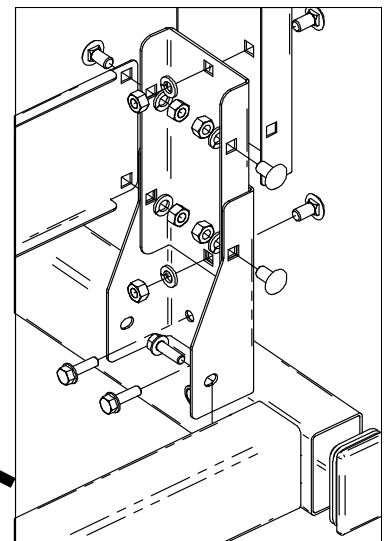
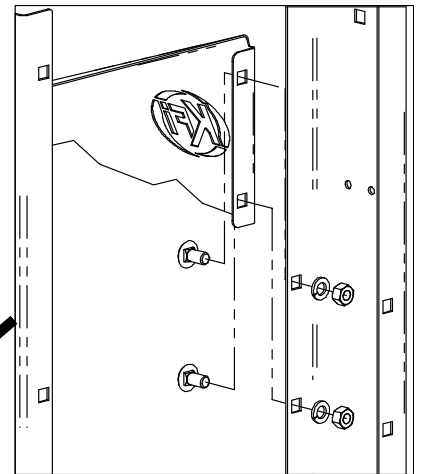
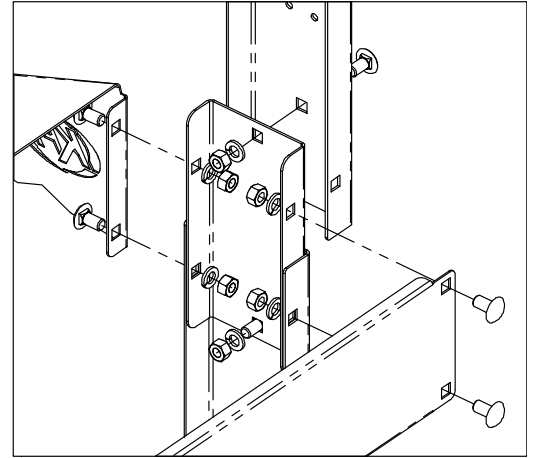
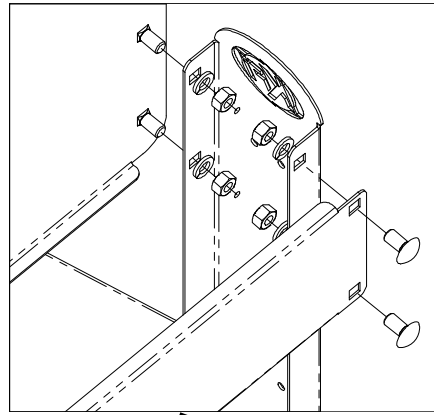
Kit Components:

<u>Qty</u>	<u>Part Description</u>
------------	-------------------------

- | | |
|--------|-----------------------|
| 1..... | Base |
| 2..... | Center Post |
| 2..... | Top Post |
| 3..... | Shelf |
| 1..... | Sign |
| 4..... | Post Coupler |
| 3..... | Stiffeners |
| 1..... | Hardware Kit (HK-052) |
| 1..... | Hardware Kit (HK-073) |

INSTALLATION INSTRUCTIONS:

Assemble all hardware loose and then tighten



Optional Winch Display Kit:

Kit Components:

<u>Qty</u>	<u>Part Description</u>
1.....	Use of one of your winches
4.....	Spacers
4.....	M8 bolts
1.....	Zip Tie

INSTALLATION INSTRUCTIONS:

1. Assemble the roller fairlead to the fairlead bracket using the items included in your retail box.
2. Assemble the winch to the shelf using the supplied longer M8 bolts and spacers as shown in the image below. You may want to use the lock nuts that are included with your retail box.
3. Assemble the hook and KFI pull strap to the winch cable loop using the included Zip Tie. Do not cut the Rubber Band on the cable as this will allow the cable to unravel when customers want to try out the Free Spool Knob.

