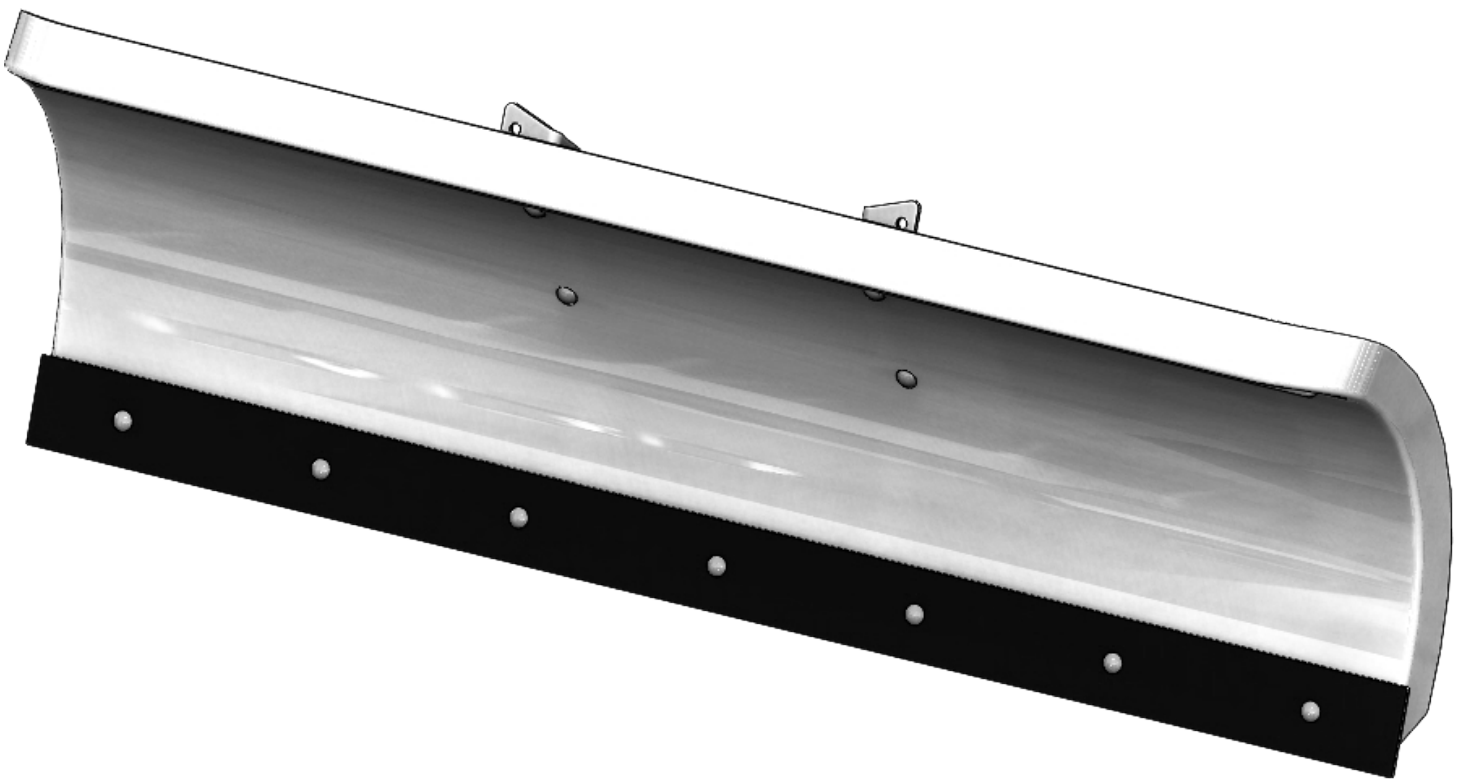
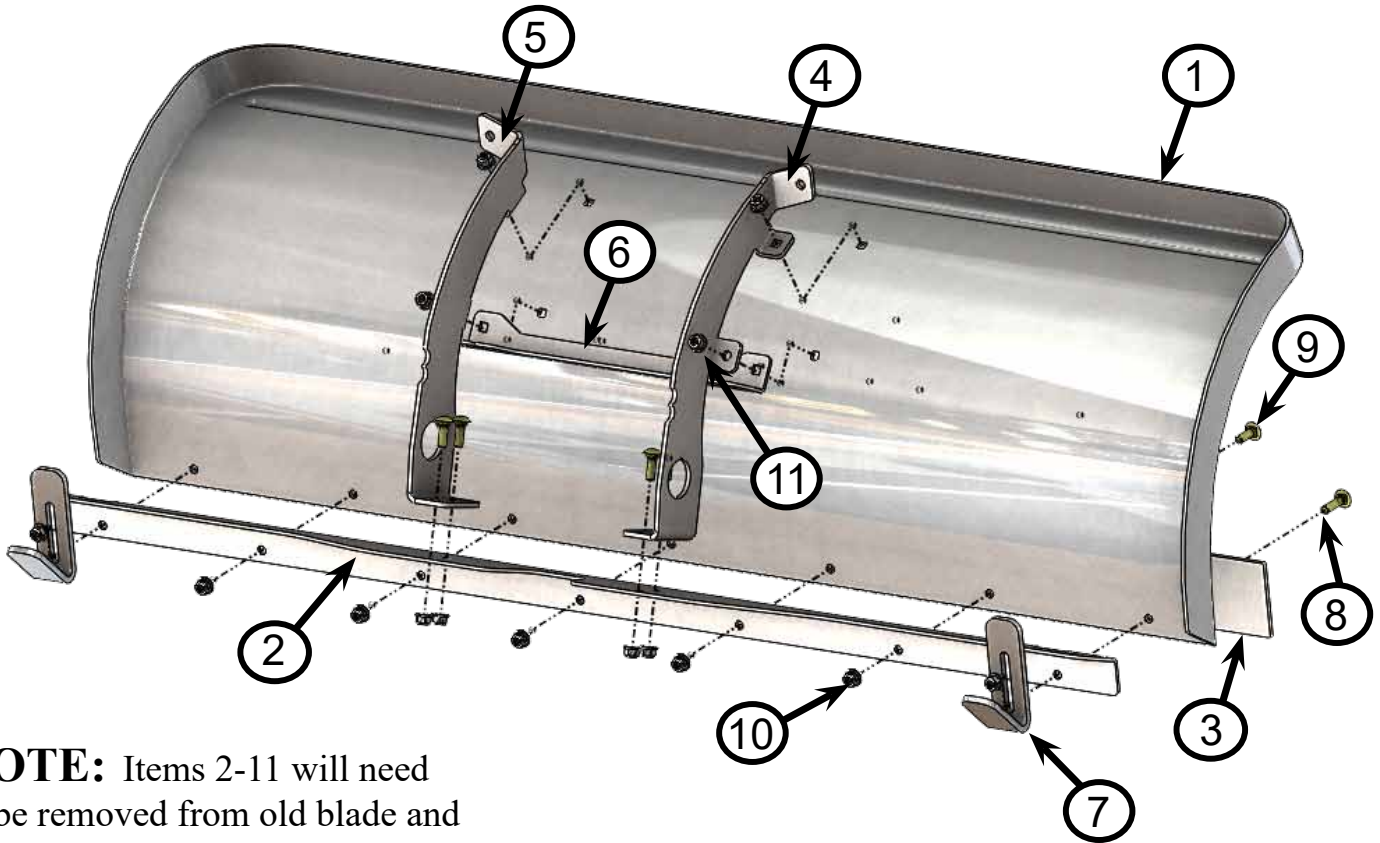




**Flex Blade
Replacement Blade
Instruction Manual
PN: 115017-R**





NOTE: Items 2-11 will need to be removed from old blade and replaced onto the new blade face #115017

50" Flex BLADE Parts List

ITEM	PART#	DESCRIPTION	QTY.
1	115017-R	BLADE - 50" POLY, UNIFLEX	1
ITEMS 2-11 NOT INCLUDED			
2	105528	UNIFLEX BLADE SUPPORT BRACKET	1
3	115037	EDGE - 50" Wear Bar (FLEX Blade)	1
4	115021	GUSSET - RIB P.S., UNIFLEX	1
5	115022	GUSSET - RIB D.S., UNIFLEX	1
6	115029	BRKT - RETAINER, RIB	1
7	105158	PLT - RETAIL BLADE FOOT	2
8	CB-8Z-031-18-125	5/16"-18 x 1.25" CARRIAGE BOLT GR8 ZINC	2
9	CB-8Z-031-18-100	5/16"-18 x 1.00" CARRIAGE BOLT GR8 ZINC	13
10	HNFN-5Z-031-18	5/16"-18 HEX NUT FLANGE NYLOCK GR5 ZINC	11
11	HNFS-5Z-031-18	5/16"-18 HEX NUT FLANGE SERRATED GR5 ZINC	4