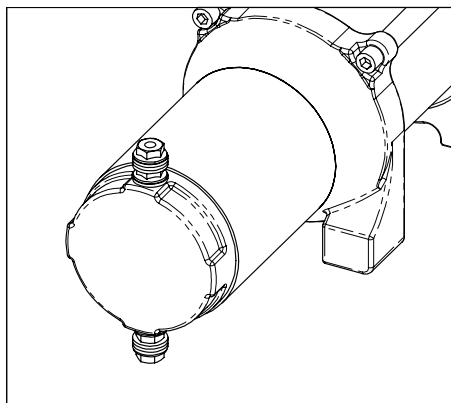
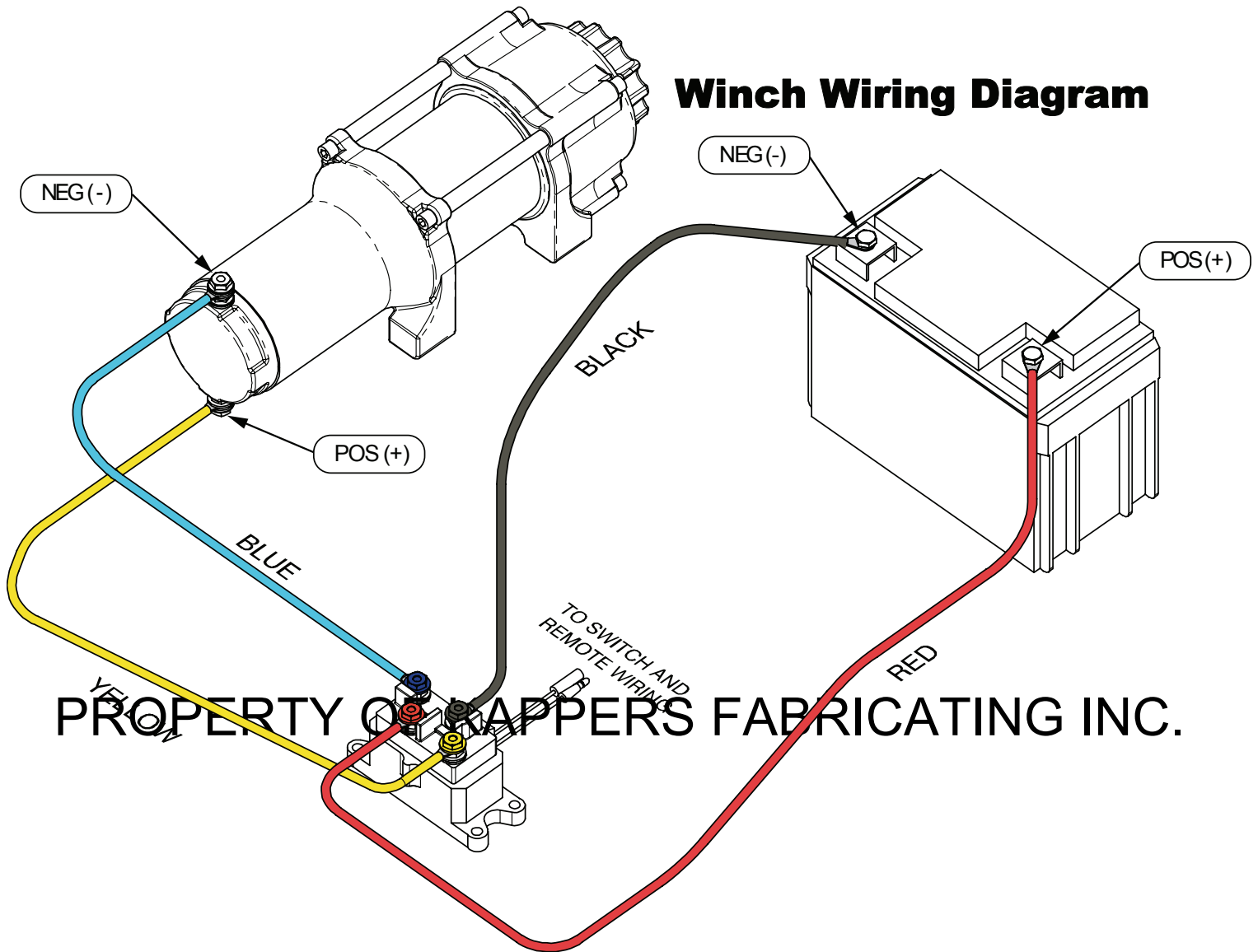
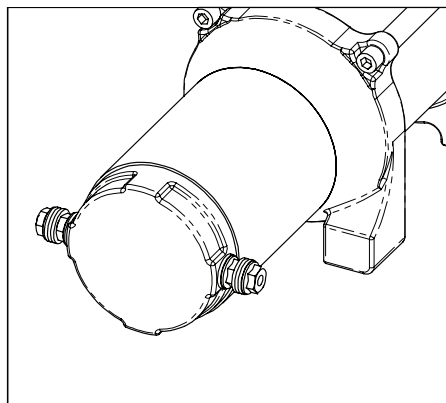


# Installation

## Winch Wiring Diagram



LEADS AT DEFAULT POSITION



LEADS ROTATED 90°

With some applications the motor leads may need to be rotated to avoid interference with other components. If rotation is required please give us a call at 1-877-346-2050 for instructions or visit our website at [www.kfiproducts.com](http://www.kfiproducts.com) and look in the Instructions section.

# Installation

## Switch Wiring Diagram

