

'02-'07 Suzuki Eiger/Vinson

Winch Mount

Part # 100555

Kit Components:

Item #	Qty.	Description
1	1	Winch Mount Plate
2	1	HK-001
2.1	4	5/16"-18 x 1.00" Hex Flange Bolt
2.2	4	5/16"-18 Hex Flange Nylock Nut

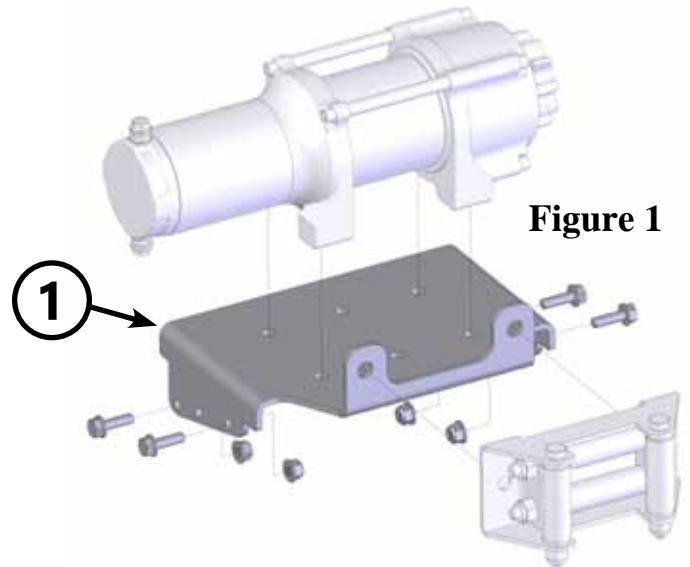


Figure 1

INSTALLATION INSTRUCTIONS:

Note: Make sure all of the hardware needed to complete this mount is in the package. Read through and understand the instructions before installing.

1. Remove the front plastic fascia (A) that protects the front bumper assembly. **Figure 2.**
2. Place mounting plate into location and attach using the supplied 5/16" hardware as shown in **Figure 3.**
 - For Vinson use (B1) and (B3) bolt locations
 - For Eiger use (B2) and (B3) bolt locations
3. Assemble your winch and the Fairlead to the winch mounting plate (1) as shown in **Figure 1** using the hardware supplied with your winch.
4. Re-install plastic fascia that was removed in step 1.
5. Using the instructions provided with your winch, wire accordingly

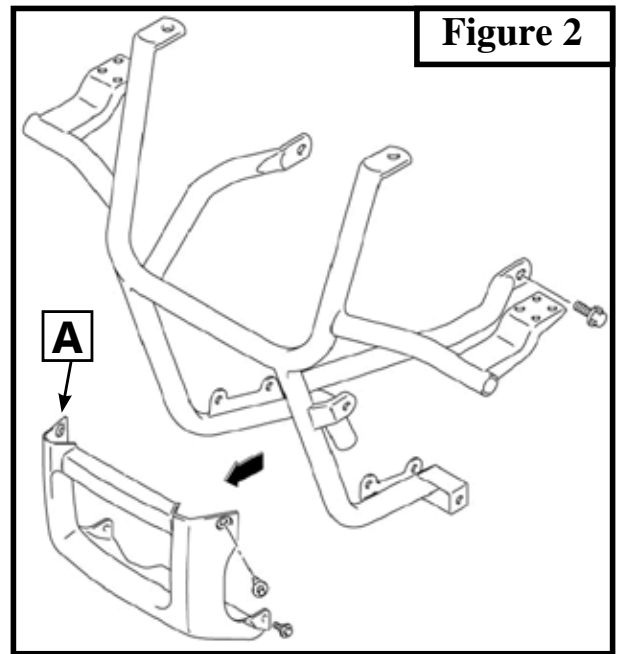


Figure 2

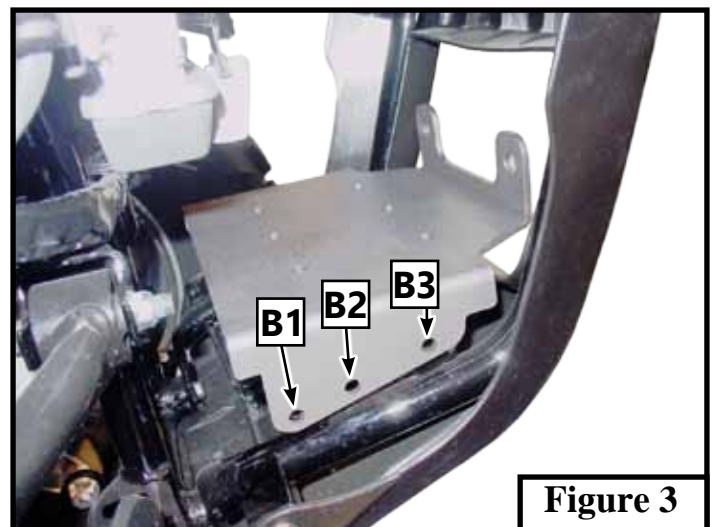


Figure 3

