

“2000-2002” Yamaha Kodiak Winch Mount

Winch Mount

PART # 100605

Kit Components:

<u>Qty</u>	<u>Part Description</u>
1.....	Winch Mount
4.....	M8x1.25 x 20mm HH Bolt
2.....	M8x1.25 Hex Nut
4.....	5/16” SAE Flat Washer
4.....	5/16” Lock Washer

INSTALLATION INSTRUCTIONS:

1. Begin by removing the two bolts that hold your bottom skid plate to the front bumper as shown in Figure 1.
2. Attach the mounting plate to your ATV as shown in Figure 2 with the supplied hardware.
3. Attach your roller or hawse fairlead to the mount using the hardware that was supplied with your winch or fairlead.
4. Slip the winch into position from the side and attach it to the mounting plate with the hardware supplied with your winch.
5. Using the instructions provided with your winch, wire accordingly.
6. Suggested location for the Contactor is on the outer left side of the storage box, just above the frame tube or inside the storage box.

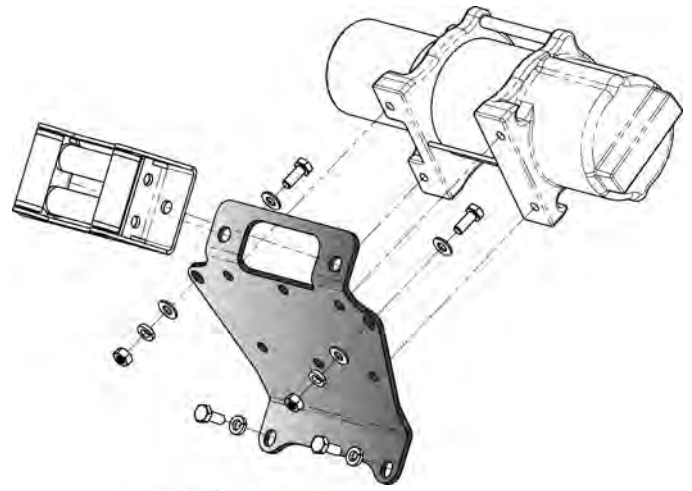


Figure 1

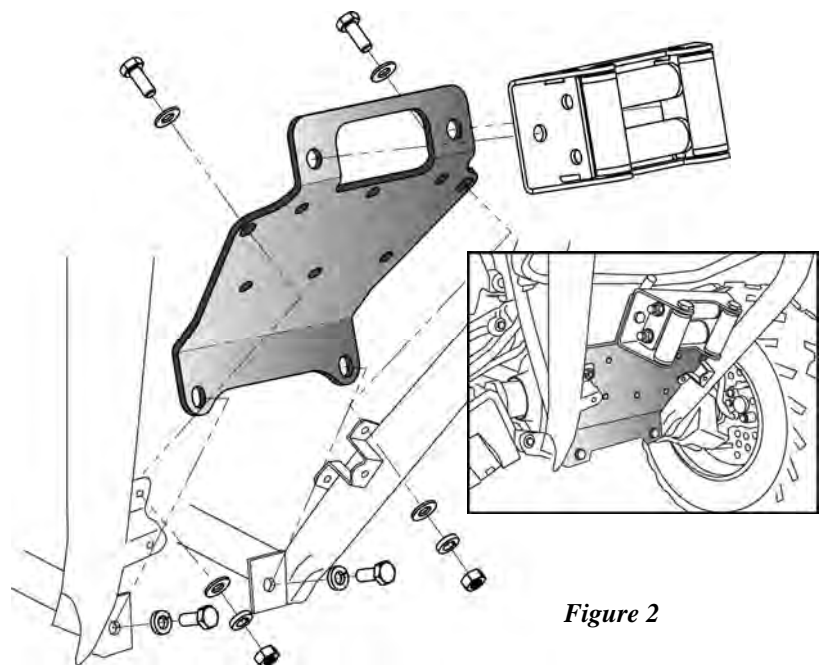


Figure 2

