

KAWASAKI TERYX REAR BUMPER

Rear Bumper

Part # 101640

Kit Components:		
Item #	Qty.	Description
1	1	Rear Bumper
2	1	Driver Side Bracket
3	1	Passenger Side Bracket
4	4	Bumper Tube Cap
5	1	HK-333
5.1	6	5/16"-18 x .75 Carriage Bolt GR5 Black
5.2	4	5/16"-18 x 1.00 Hex Flange Bolt GR5 Zinc
5.3	10	5/16"-18 Hex Flange Nylock Nut

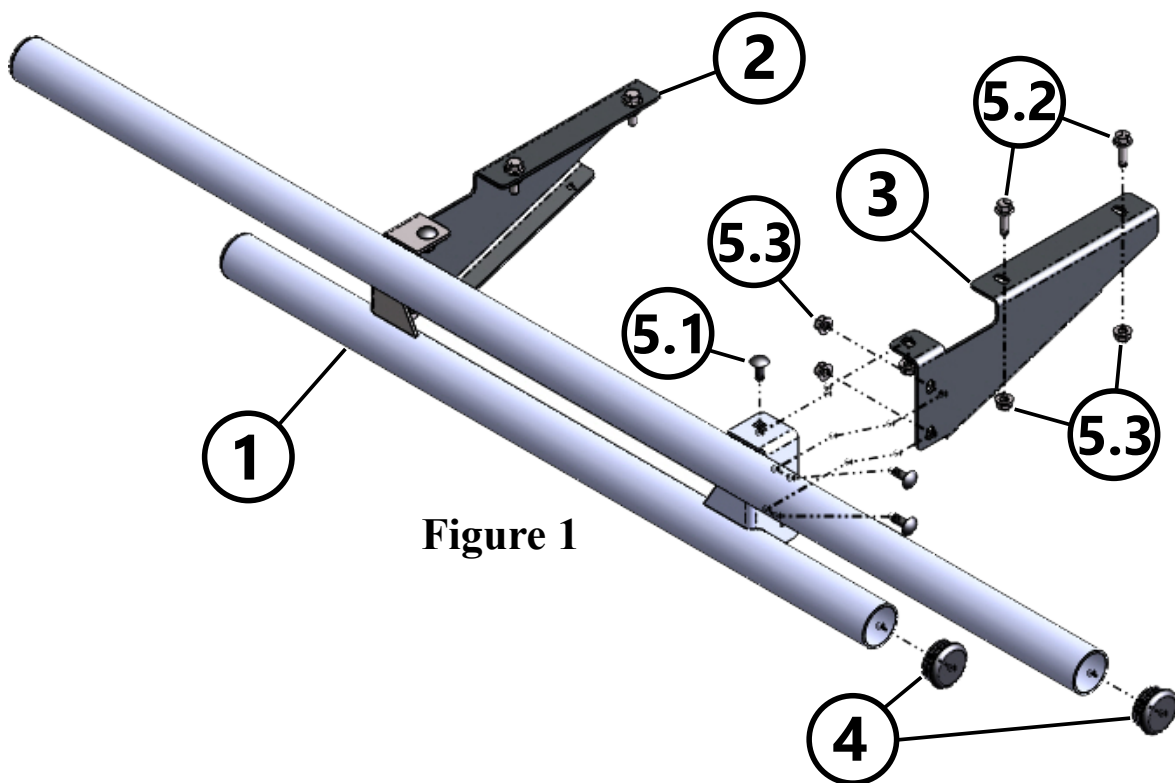


Figure 1



INSTALLATION INSTRUCTIONS:

Note: Make sure all of the hardware needed to complete this mount is in the package. Read through and understand the instructions before installing.

1. Remove the 8 bolts (A) holding the bottom of the bed down as shown in **Figure 2** and prop the bed up to gain access to the top of the bed frame rails.
2. Hold passenger side bumper bracket (3) in location (C) as shown in **Figure 3 & 4** and fasten bracket using Hex Bolt (5.2) and Nut (5.3).
3. Repeat Step 2 for driver side bumper bracket (2) in location (B).
4. Set Rear Bumper (1) in place as shown in **Figure 1 & 5** and fasten using Carriage Bolt (5.1) and Nuts (5.3).
5. Re-fasten the bed using the 8 bolts (A) removed in Step 1.
6. Tighten all hardware evenly.

