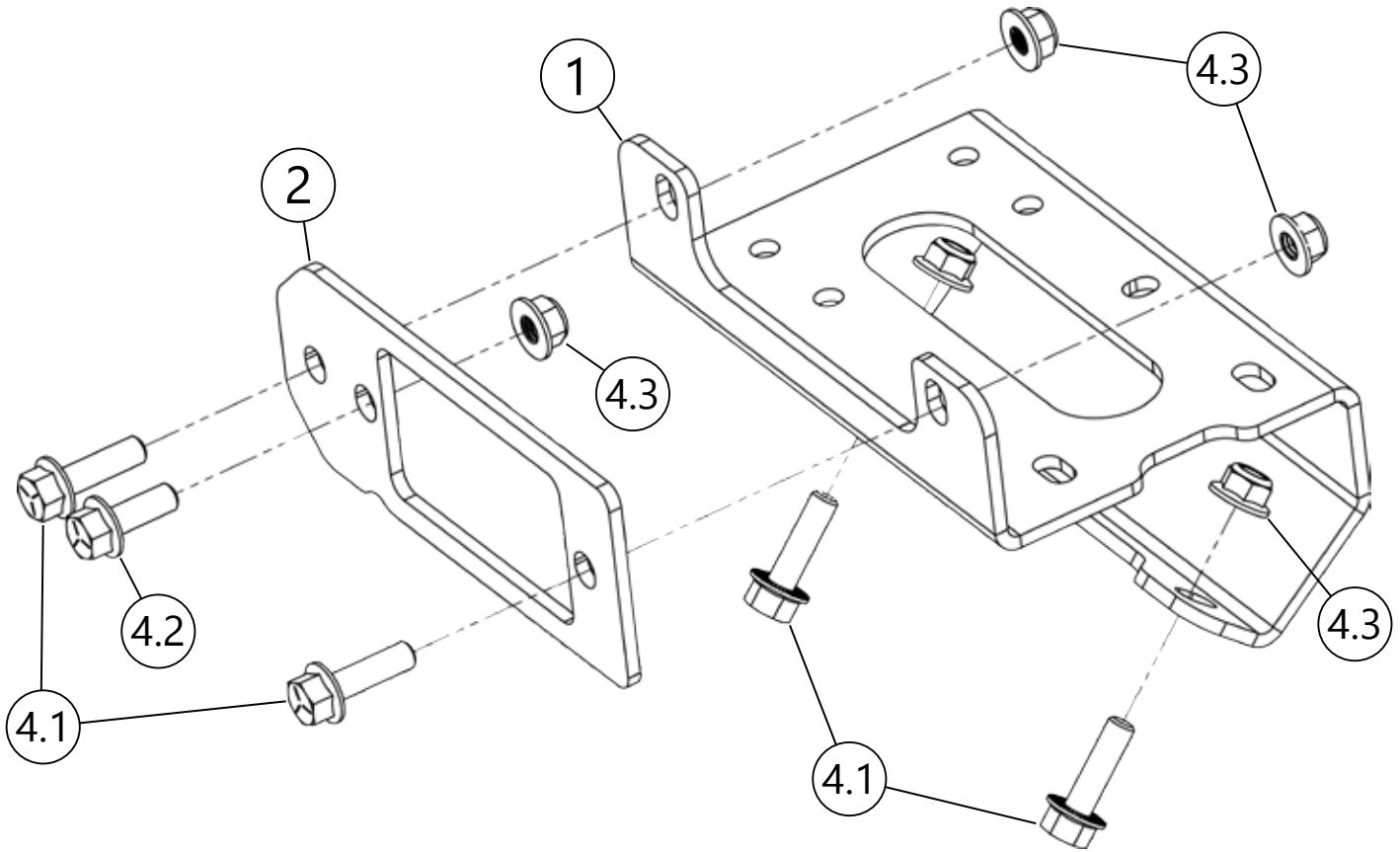


CAN-AM DEFENDER

Winch Mount

PART #101905

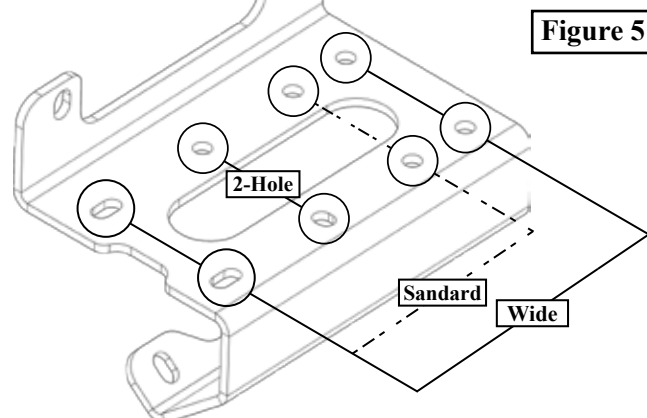
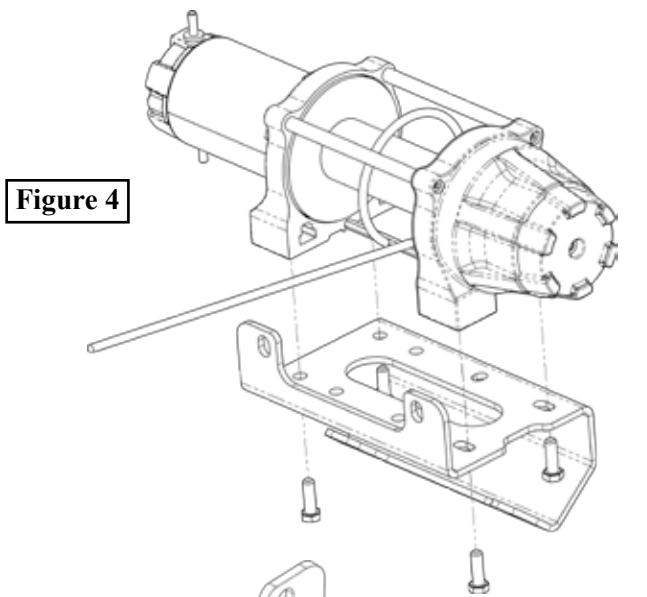
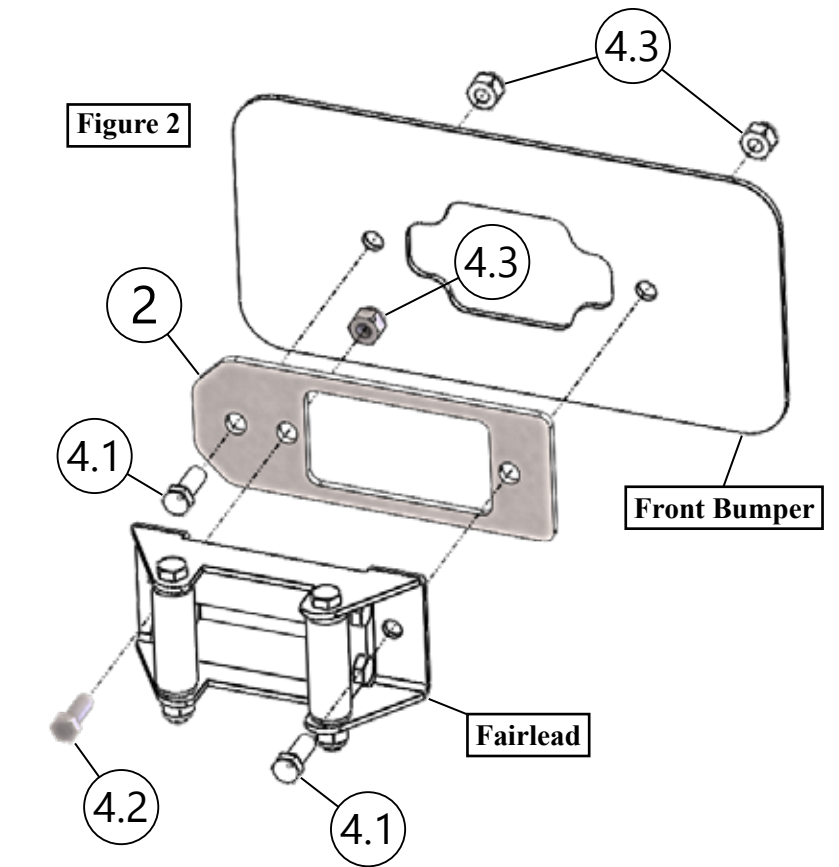
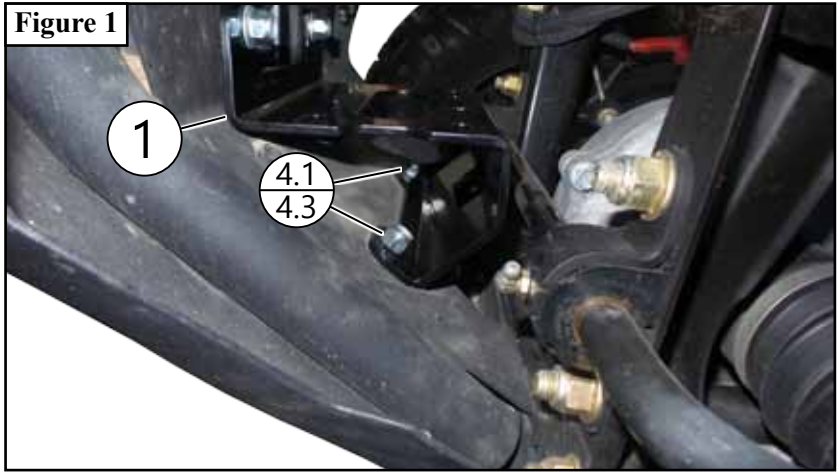
Kit Components:		
Item #	Qty.	Description
1	1	Winch Mount
2	1	Fairlead Adapter (standard winch only)
3	1	Hardware Kit (HK-031)
4	1	Hardware Kit (HK-129)
4.1	4	3/8"-16 x 1.25 Hex Flange Bolt
4.2	2	3/8"-16 x 1.00 Hex Flange Bolt
4.3	6	3/8"-16 Hex Flange Nylock Nut
3.4	1	22-18 Male Quick Disconnect (not used)



INSTALLATION INSTRUCTIONS

Note: Make sure all hardware needed to complete this mount is in the package. Thoroughly read through and understand the instructions before installing.

1. Set winch mount (1) in place and loosely secure the bottom of the mount using bolts (4.1) and nuts (4.3) as shown in **Figure 1**.
2. Place fairlead onto fairlead adapter (2) and secure to front bumper and winch mount (1) using bolts (4.1 & 4.2) and nuts (4.3) as shown in **Figures 2 & 3**. **NOTE:** If installing a wide winch, fairlead adapter (2) will not be used and fairlead will bolt directly to front bumper and winch mount (1).
3. Route winch cable through fairlead and install the winch to winch mount (1) as shown in Figure 4. **NOTE:** See **Figure 5** for winch bolt hole locations for installing a wide, standard, and 2-Hole winches.
4. Tighten all hardware evenly.



WIRING INSTRUCTIONS



CAUTION

Never attach wires to sharp objects, moving parts or next to a heat source. It is recommended to secure any loose wires with wire ties.

1. Locate the contactor near the battery of the machine located under the passenger seat as shown in Figure 6.
2. Using the contactor as a template, drill 4 holes through the floor to mount the contactor.
3. Run the red (+) and black (-) from the contactor to the battery.
4. Run the yellow and blue winch wire under the center panel and up through the fire wall as shown in Figures 7 & 8.
5. For more wiring details, see your winch manual.
6. For installing a Mini-Rocker switch into the dash of the machine, see **Figure 9** using HK-031.

Figure 6



Figure 7



Figure 8



Figure 9

