

HONDA FOREMAN

PLOW MOUNT

Plow Mount PART # 105210
 Hardware Kit: HK-112

Kit Components:

Qty.	Part Description
1.....	Plow Mount Plate
4.....	5/16" X 1-3/8" X 2" U-Bolt
8.....	Flanged Nylok 5/16"

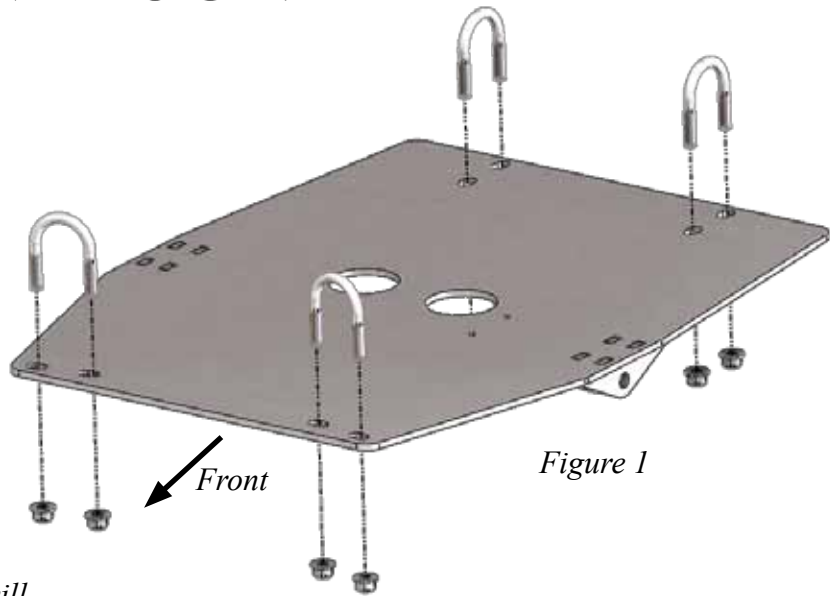


Figure 1

INSTALLATION INSTRUCTIONS:

Note: *If you want to leave the skid plate on you will have to drill holes in the skid plate to fit the U-Bolts. (Skip to Step 2)*

1. Remove the stock skid plate from the ATV.
2. Center the mount plate between the two foot pegs on either side as shown in Figure 2. *(Skip to Step 6 if you took the skid plate off)*
3. If your skid plate is still on, locate the rear frame tubing. Center your mount holes to the tube and mark the four holes shown in Figure 2.
4. Drill out the marked holes with a 1/2" bit then attach the two U-Bolts on the rear tubing loosely.
5. Hold and center the mounting plate to mark the two front holes using the Mount as a template. Then drill out the holes shown in Figure 2.
6. Attach the mount to the ATV's tube frame with the four 5/16" U-Bolts provided. **(MAKE SURE THE U-BOLTS ARE TIGHTENED EVENLY)**



Figure 2
Bottom View

