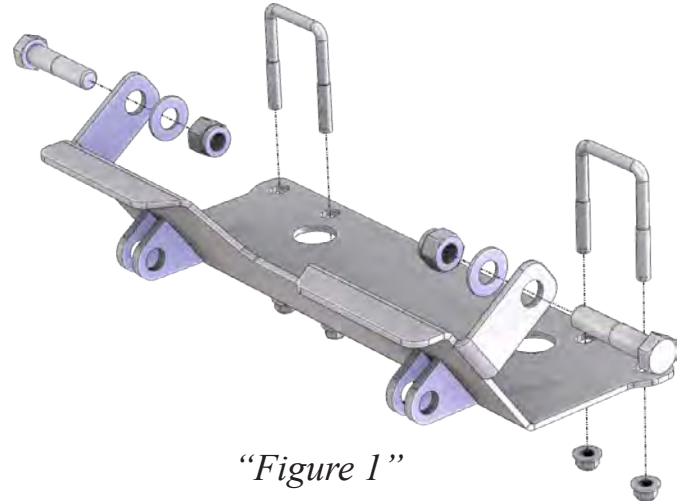


ARCTIC CAT PROWLER

Plow Mount PART # 105370
 Hardware Kit: HK-136

Kit Components:

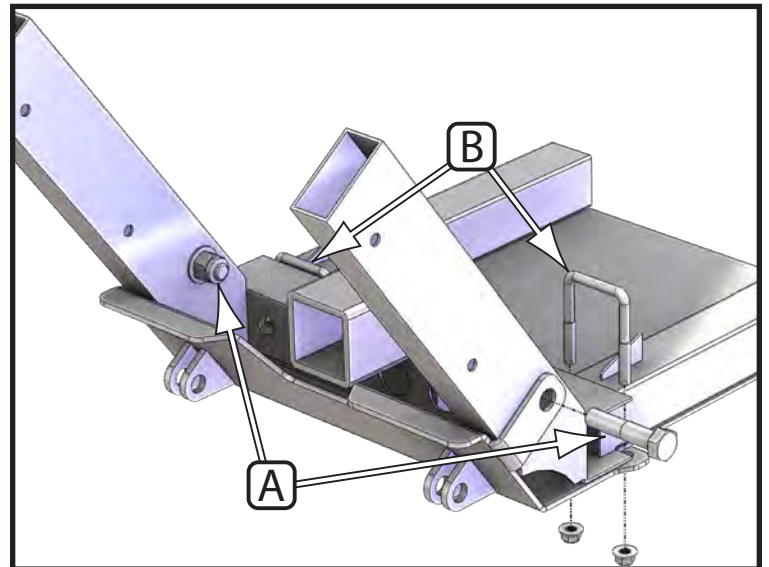
Qty.	Part Description
1.....	Plow Mount Plate
2.....	5/8"-11 x 2 3/4" Bolt
2.....	5/8"-11 Nylock Nut
2.....	5/8" Flat Washer
2.....	3/8" Square U-Bolt
4.....	3/8"-16 Flanged Nylock Nut



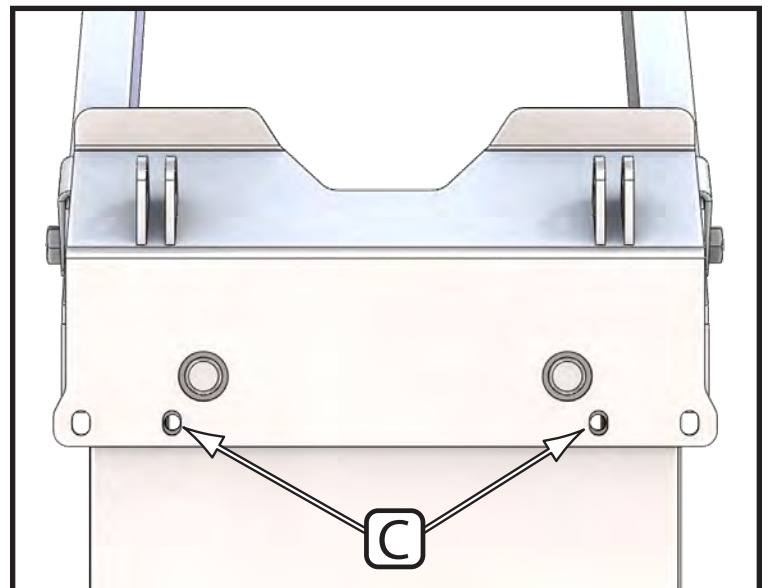
“Figure 1”

INSTALLATION INSTRUCTIONS:

1. Place mount plate over lower frame of machine and install 5/8” hardware (A) as shown in Figure 2.
2. Using the mount plate as a template, drill the 2 inner holes (C) through skid plate as shown in Figure 3.
3. Install the 5/16” Square U-Bolts (B) as shown in Figure 2.
4. Tighten down all bolts.
5. See UTV Plow Tube System instruction manual for tube attachment.



“Figure 2” Mount Install



“Figure 3” Skid Plate Drill Pattern

