

KAWASAKI MULE 610

Plow Mount

PART # 105470

Hardware Kit: HK-145

Requires Winch Mount Pt.# - 100575

Kit Components:

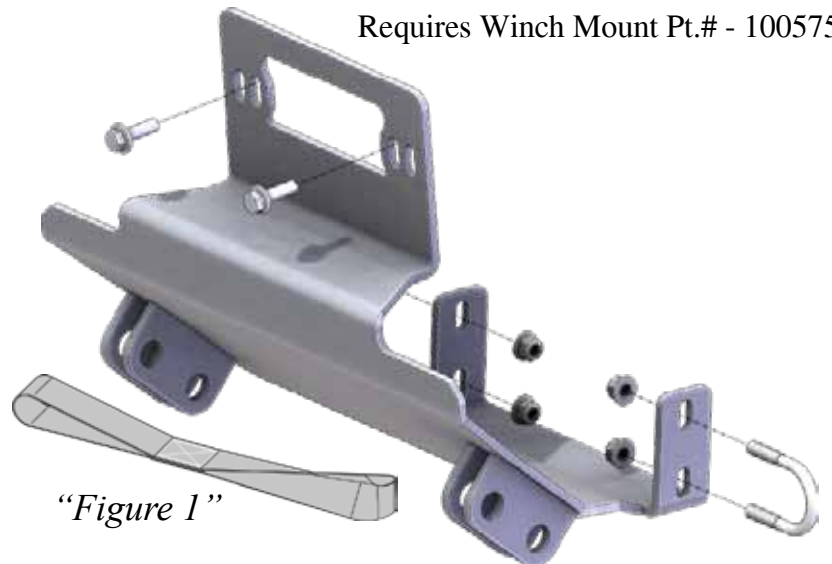
Qty.	Part Description
1.....	Plow Mount Plate
2.....	5/16"-18 U-Bolt
2.....	5/16"-18 x 1" Hex Flange Bolt
2.....	M8-1.25 x 30mm Hex Flange Bolt
6.....	5/16"-18 Hex Flange Nut
1.....	12" Soft Loop Strap

INSTALLATION INSTRUCTIONS:

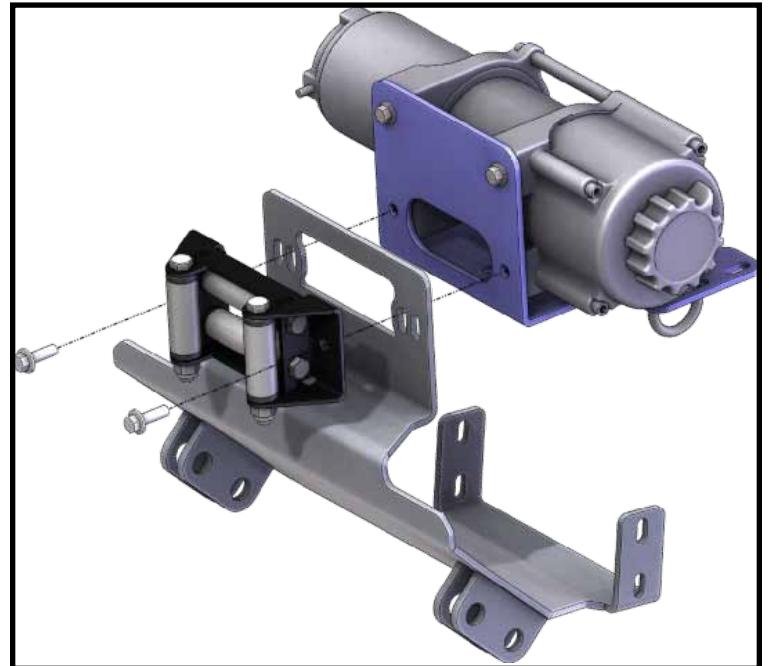
1. Install winch mount (100575) and winch per instructions included with the mount.

Note: Do not install the lower winch bolts or roller fairlead until plow mount is installed. If plastic is removed be sure to reinstall before installing the plow mount.

2. Place plow mount plate over lower front bumper and install fairlead and plow plate using the M8 Bolts provided with the plow mount. See Figure 2.
3. Install U-bolts using the Flange Nuts provided with the mount as shown in Figure 3.
4. Tighten down all bolts.
5. See UTV Plow Tube System instruction manual for tube attachment.



"Figure 1"



"Figure 2" Mount Plate and Fairlead Install



"Figure 3" U-Bolt Install

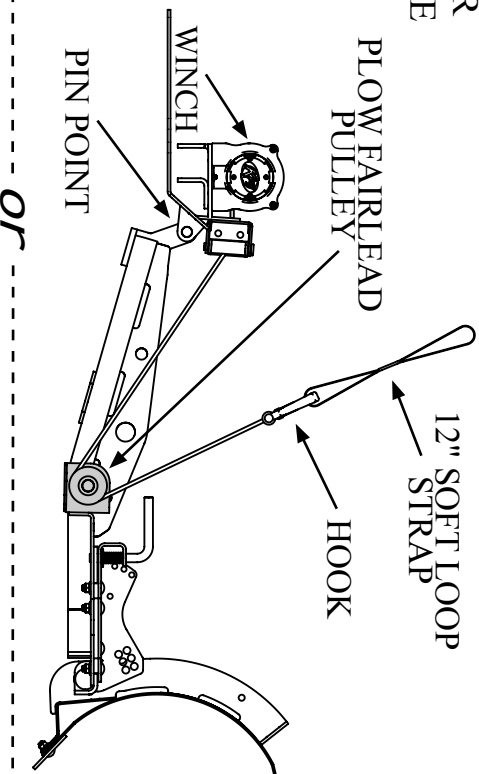
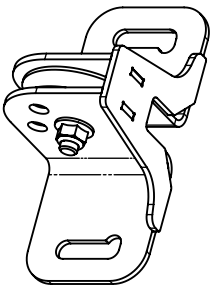




THIS MOUNT RECOMMENDS A PLOW PULLEY

SYNTHETIC ROPE PLOW FAIRLEAD PULLEY

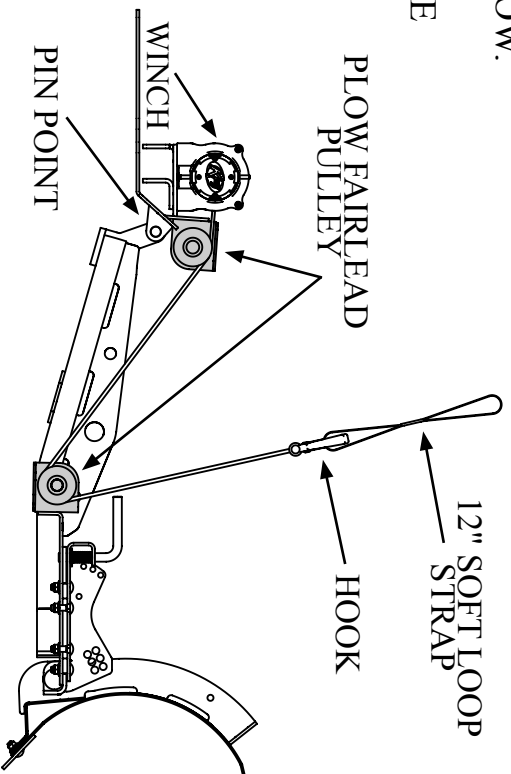
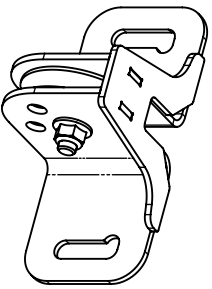
- ALUMINUM ROLLER
- STANDARD OR WIDE



or

STEEL CABLE PLOW FAIRLEAD PULLEY

- RECOMMEND A PULLEY AT THE WINCH AS WELL AS PUSH TUBE.
- VIEW EXAMPLE BELOW.
- STEEL ROLLER
- STANDARD OR WIDE

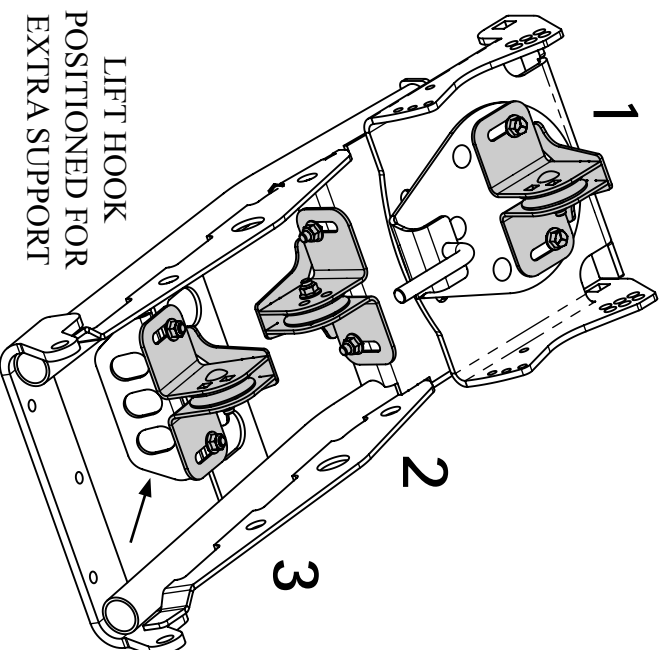


WHY USE A PULLEY?

WHEN THE WINCH FAIRLEAD AND PLOW PIN POINT ARE CLOSE TO EACH OTHER, IT CREATES A SHALLOW LIFTING ANGLE. BY ADDING A PULLEY, YOU ARE CHANGING THE WINCH ANGLE TO A MORE VERTICAL LIFTING POSITION. THIS WILL PROVIDE LESS STRAIN ON THE WINCH AND ENTIRE PLOW SYSTEM.

possible positions

STANDARD FAIRLEAD PULLEY REQUIRED FOR ALL PUSH TUBE APPLICATIONS



12\"/>