

ARCTIC CAT HDX

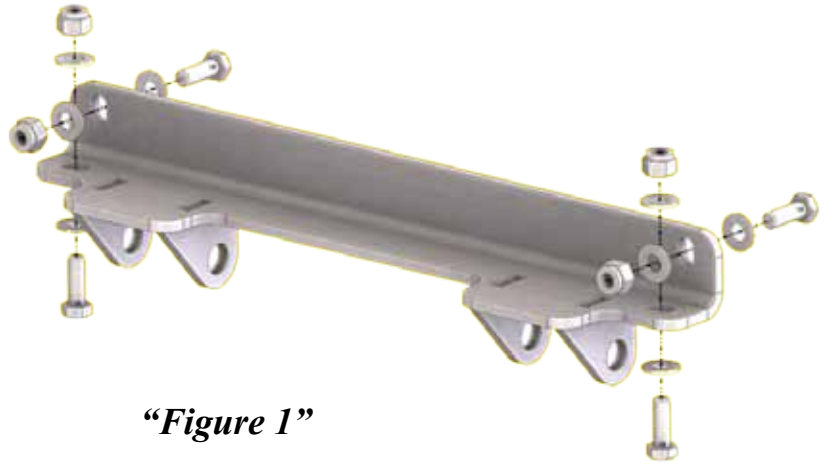
Plow Mount

PART # 105725

Hardware Kit: HK-011

Kit Components:

Item #	Qty.	Description
1	1	Plow Mount
2	4	3/8"-16 X 1" Hex Flange
3	4	3/8"-16 Nylock Nut
4	4	3/8" SAE Flat Washer
5	1	3/8"-16 X 1-1/4" FLT HD Socket

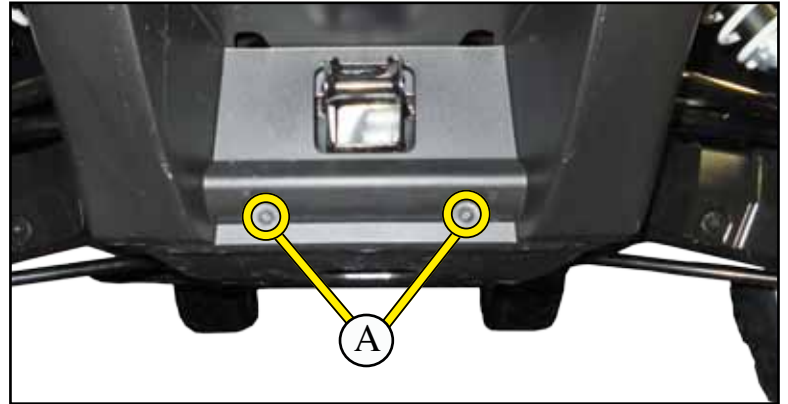


"Figure 1"

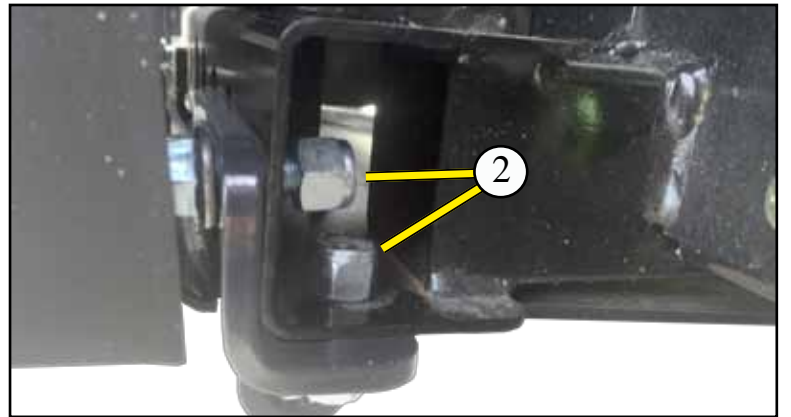
INSTALLATION INSTRUCTIONS:

Note: We suggest cutting out a small area of the bumper to make the install easier. Cut out shown in Figure 4.

1. Remove Bolts (A) from the plastic cover on the front of the machine and set aside. Shown in Figure 2.
2. Slide the mount plate up behind the plastic cover and install Bolts (2) with hardware shown in Figure 3.
3. Reattach the plastic cover using bolts (A) into there OEM location. Tighten down all hardware.
4. See ATV Plow Tube System instruction manual for tube attachment.



"Figure 2" Front of UTV



"Figure 3"



"Figure 4"

