

TEXTRON PROWLER PRO

Plow Mount

PART #106000

Item #	Qty.	Description
1	1	Plow Mount
2	1	Hardware Kit (HK-011)
2.1	4	3/8"-16 x 1.00 Hex Flange Bolt
2.2	4	3/8"-16 Hex Nylock Nut
2.3	4	3/8" Flat Washer
2.4	1	3/8"-16 x 1.25 Flat Head Cap Screw (not used)

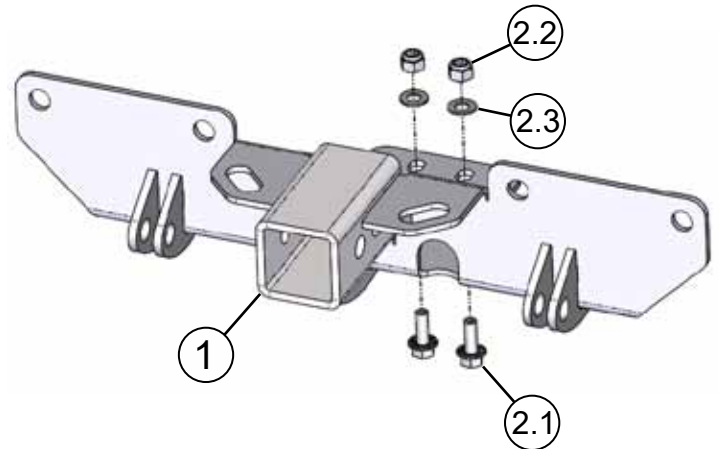


Figure 1

INSTALLATION INSTRUCTIONS

Note: Make sure all hardware needed to complete this mount is in the package. Thoroughly read through and understand the instructions before installing.

1. Remove tow hooks (A) and set aside as they will be reinstalled in a later step as shown in **Figure 1**.
2. Remove lower fascia and discard as shown in **Figure 1**.
3. Align plow mount (1) to the holes in frame and secure using bolts (2.1) nuts (2.2) and washers (2.3) as shown in **Figure 2**.
4. Reinstall tow hooks (A) removed in step 1 as shown in **Figure 3**.
5. Tighten all hardware evenly.

