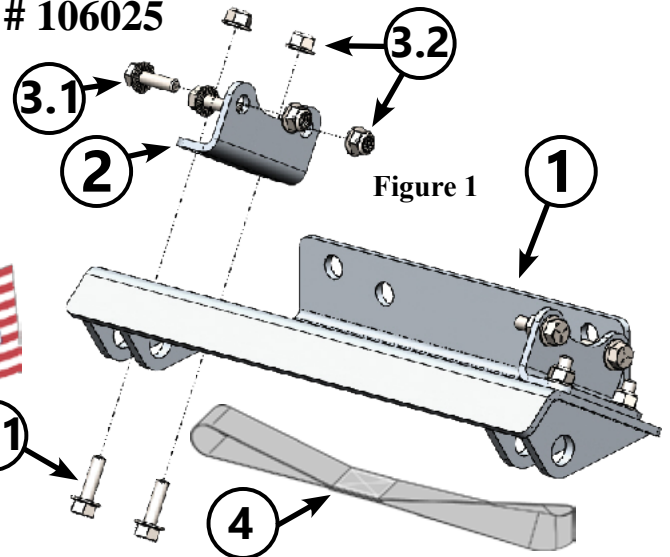


KUBOTA SIDEKICK 850 PLOW MOUNT

Plow Mount Part # 106025

Kit Components:

Item #	Qty.	Description
1	1	Plow Mount
2	2	Plow Mount Bracket
3	2	HK-001
3.1	4	5/16"-18 x 1.00 Hex Flange Bolt GR5
3.2	4	5/16"-18 Hex Flange Nylock Nut GR5
4	1	12" Soft Loop Strap



INSTALLATION INSTRUCTIONS:

Note: Make sure all of the hardware needed to complete this mount is in the package. Read through and understand the instructions before installing.

1. Bolt plow mount bracket (2) to plow mount (1) in place using 5/16" bolt (3.1) and 5/16" nut (3.2) as shown in **Figure 1 & 2**. Repeat step 1 for driver side.
2. Remove bolts (A) shown in **Figure 3** and set aside to be re-installed in a later step.
3. Hold plow mount (1) in place and loosely secure to OEM front receiver using bolts (A) removed in step 2 as shown in **Figure 4**.
4. Bolt plow mount bracket (2) to OEM front receiver using 5/16" bolts (3.1) and 5/16" nuts (3.2) as shown in **Figure 5**. Repeat step 4 for driver side.
5. Tighten all hardware evenly.

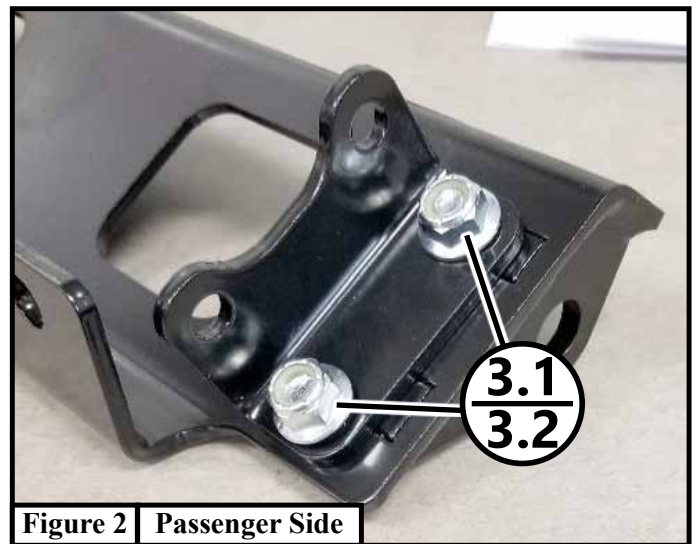


Figure 2 Passenger Side

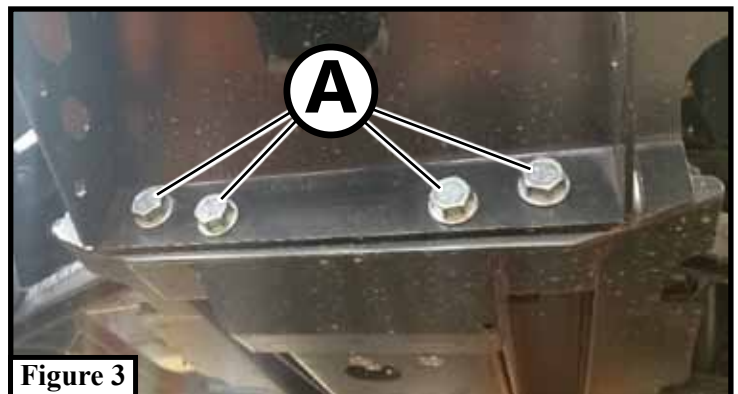


Figure 3

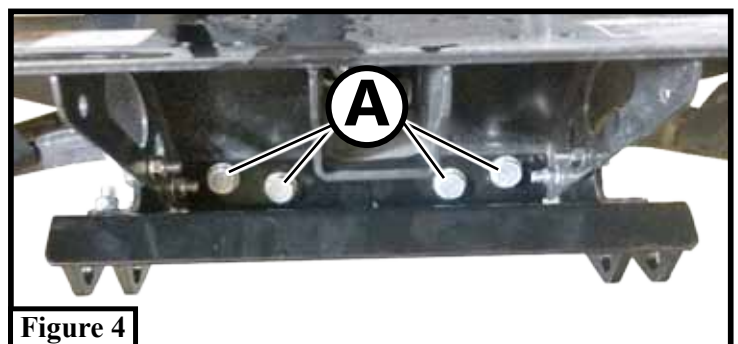


Figure 4

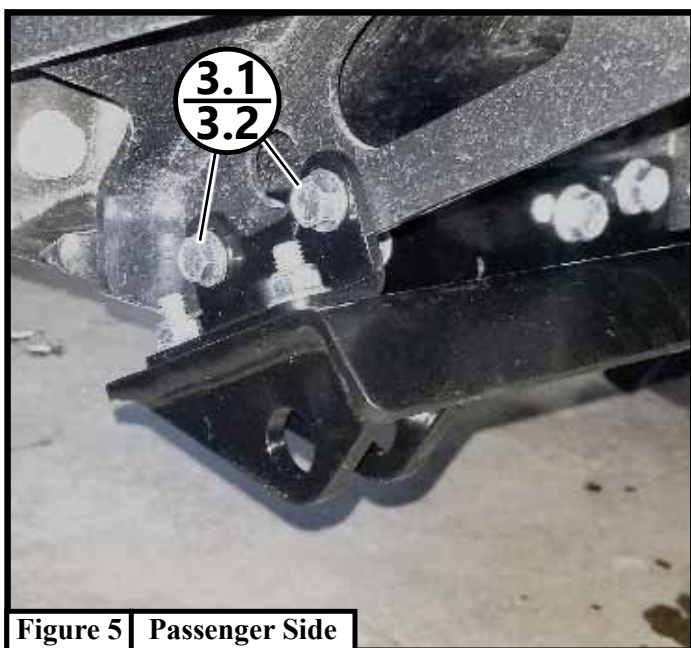


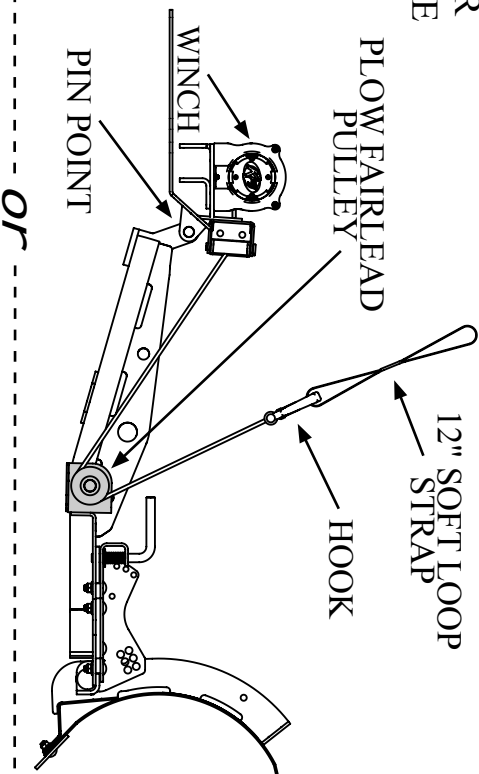
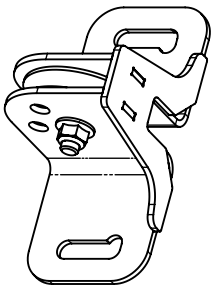
Figure 5 Passenger Side



THIS MOUNT RECOMMENDS A PLOW PULLEY

SYNTHETIC ROPE PLOW FAIRLEAD PULLEY

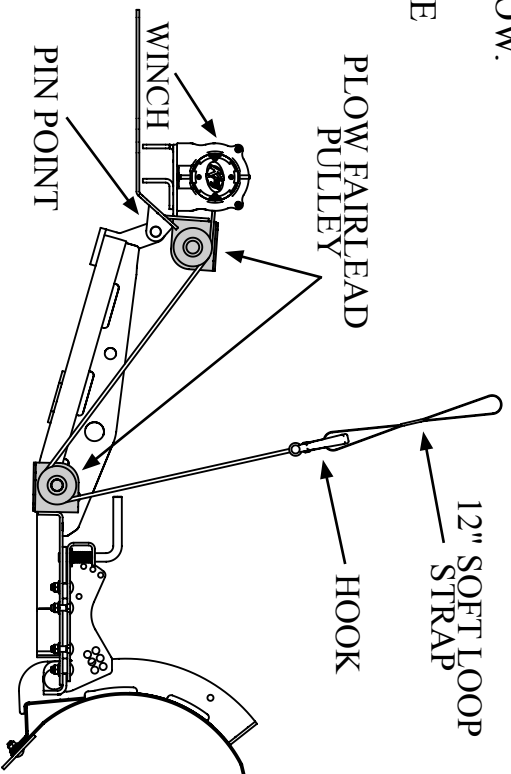
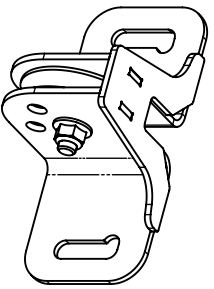
- ALUMINUM ROLLER
- STANDARD OR WIDE



or

STEEL CABLE PLOW FAIRLEAD PULLEY

- RECOMMEND A PULLEY AT THE WINCH AS WELL AS PUSH TUBE.
- VIEW EXAMPLE BELOW.
- STEEL ROLLER
- STANDARD OR WIDE

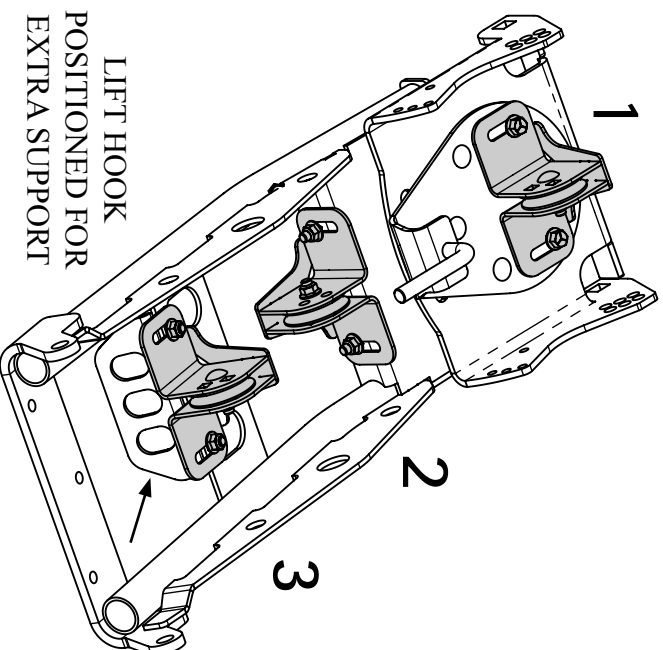


WHY USE A PULLEY?

WHEN THE WINCH FAIRLEAD AND PLOW PIN POINT ARE CLOSE TO EACH OTHER, IT CREATES A SHALLOW LIFTING ANGLE. BY ADDING A PULLEY, YOU ARE CHANGING THE WINCH ANGLE TO A MORE VERTICAL LIFTING POSITION. THIS WILL PROVIDE LESS STRAIN ON THE WINCH AND ENTIRE PLOW SYSTEM.

possible positions

STANDARD FAIRLEAD PULLEY REQUIRED FOR ALL PUSH TUBE APPLICATIONS



12\"/>