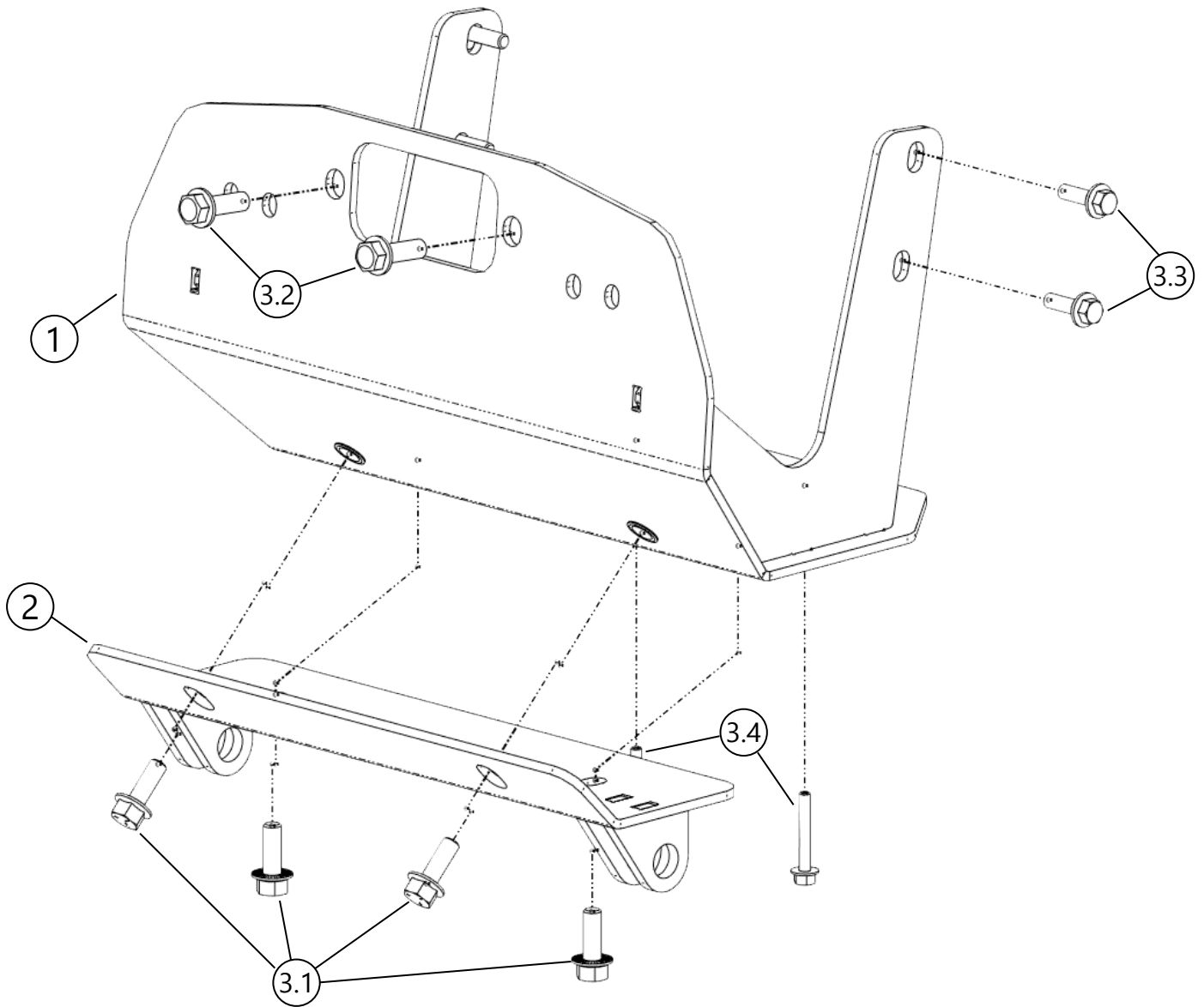


CF MOTO Z FORCE 950

Plow Mount

PART #106170



Item #	Qty.	Description
1	1	Frame Bracket
2	1	Plow Mount
3	1	Hardware Kit (HK-384)

Item #	Qty.	Description
3.1	4	3/8"-16 x 1.00 Hex Flange Bolt
3.2	2	M10-1.25 x 30 Hex Flange Bolt
3.3	4	M8-1.25 x 25 Hex Flange Bolt
3.4	2	M6-1.00 x 40 Hex Flange Bolt



INSTALLATION INSTRUCTIONS

Note: Make sure all hardware needed to complete this mount is in the package. Thoroughly read through and understand the instructions before installing.

1. Remove the front plastic from the machine by removing bolts (A) as shown in **Figure 1**. Set bolts (A) aside as they will be reused.
2. Remove bracket (B) by removing bolts (C) as shown in **Figure 2**. Repeat this step on the opposite side. The brackets and bolts (C) will not be used when installing the plow mount.
3. Remove the winch hook from the cable and set aside. Remove the fairlead (D) by removing bolts (E) as shown in **Figures 1 and 2**. Bolts (E) will not be reused.
4. Remove bolts (F) from the side of the winch mount as shown in **Figure 2**. Repeat this step on the opposite side. Bolts (F) will not be reused.
5. Remove the front bolts (G) from the bottom skid plate as shown in **Figure 3**. Bolts (G) will not be reused.
6. Loosely install frame bracket (1), and fairlead (D) using bolts (A, 3.2, 3.3, and 3.4) as shown in **Figures 4 and 5**. Tighten evenly once all hardware is started. *Bolts (A) are reused from Step 1.*
7. Install plow mount (2) onto frame bracket (1) using bolts (3.1) as shown in **Figure 5**. *The plow mount (2) is designed to be taken off when not in plow season. This will allow for more ground clearance.*
8. Tighten all hardware evenly.
9. Reinstall the winch hook onto the cable making sure the cable is ran through the fairlead. See **Figure 6**.

