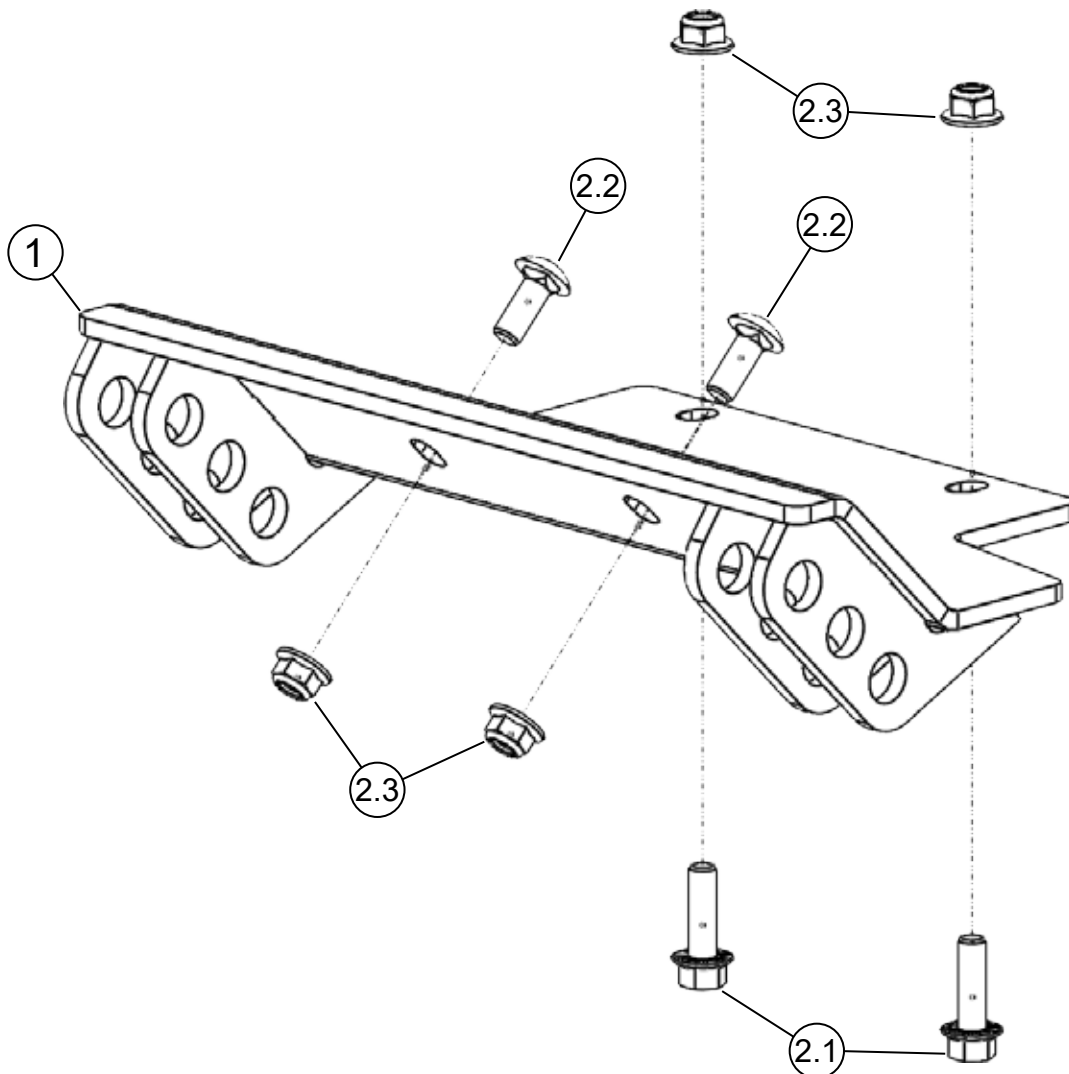


# INTIMIDATOR GC1K

Plow Mount      PART #106285

Kit Components:		
Item #	Qty.	Description
1	1	Plow Mount
2	1	Hardware Kit (HK-362)
2.1	2	3/8"-16 x 1.25 Hex Flange Bolt
2.2	4	3/8"-16 x 1.00 Carriage Bolt
2.3	8	3/8"-16 Hex Flange Nylock Nut



# INSTALLATION INSTRUCTIONS

**Note:** Make sure all hardware needed to complete this mount is in the package. Thoroughly read through and understand the instructions before installing.

1. Remove and discard hardware (A) from frame as shown in **Figure 1**.
2. Set plow mount (1) in place over the front of the frame and secure using bolts (2.1 & 2.2) and nuts (2.3) as shown in Figure 2.
3. Tighten all hardware evenly.

**NOTE:** Ideal pin height is between 9.5" - 11.5" and is adjustable on plow mount (1). Due to height differences in machines, measure from center of the hole to the ground and select the preferred attachment point as shown in **Figure 3**.

