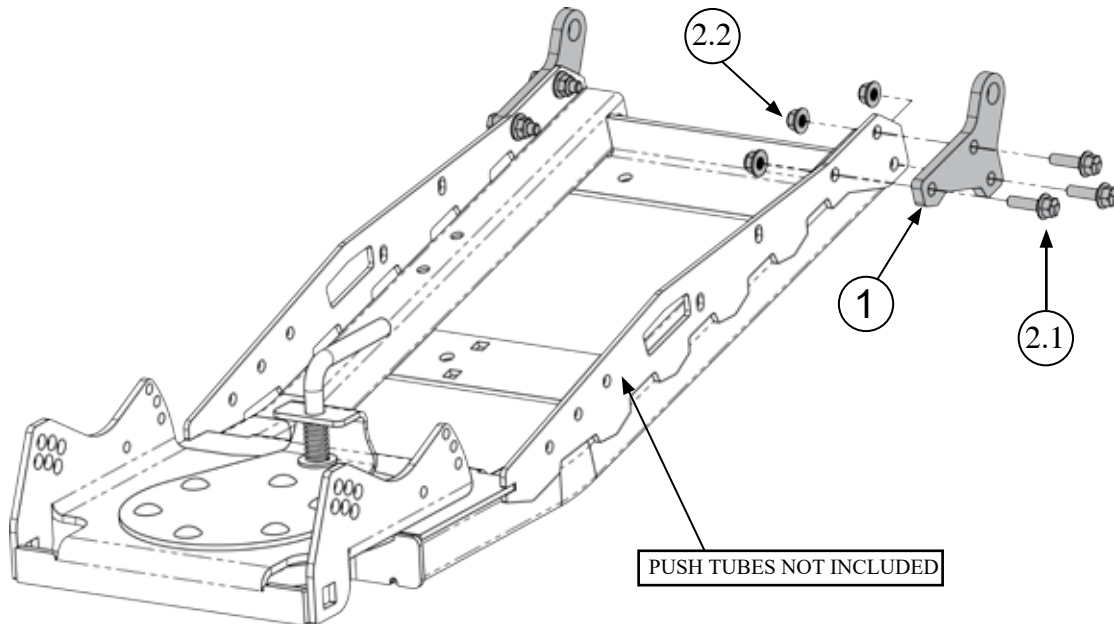


UTV SQ TUBE REPLACEMENT EAR

Plow Accessory

PART #106302-R

Kit Components:		
Item #	Qty.	Description
1	2	UTV PUSH TUBE BOLT ON EAR
2	1	HARDWARE KIT (HK-398)
2.1	6	3/8"-16 X 1.25 HEX BOLT FLANGE GR5
2.2	6	3/8"-16 HEX NUT FLANGE NYLOCK GR5



INSTALLATION INSTRUCTIONS

1. Remove your current attachment brackets and discard hardware
2. Fasten the replacement ears (1) to the push tubes using bolts (2.1) and nuts (2.2) as shown in image above.
3. Torque 3/8" bolts to 31lb-ft

