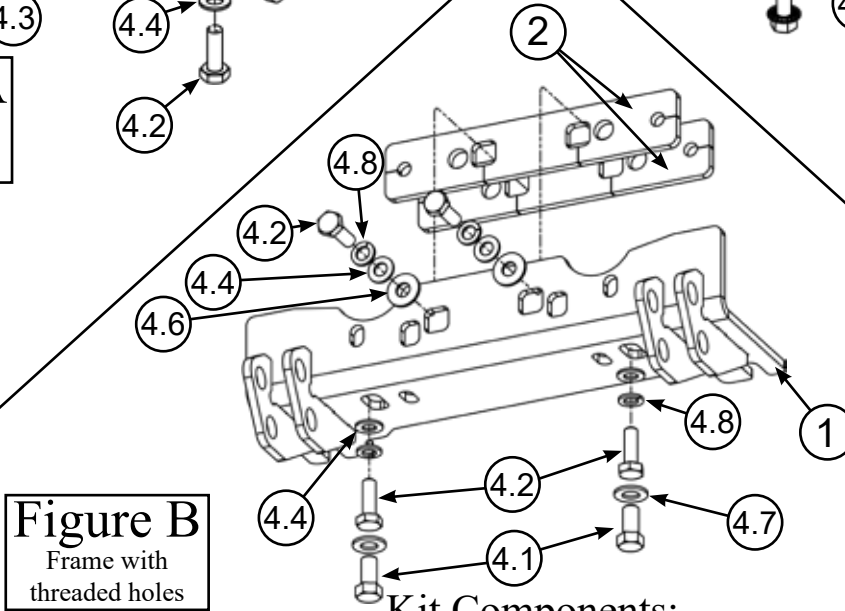
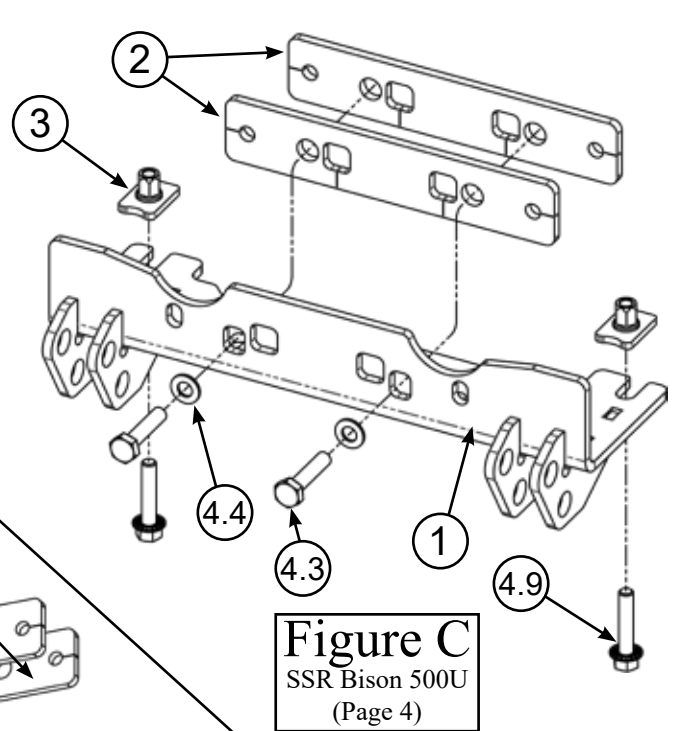
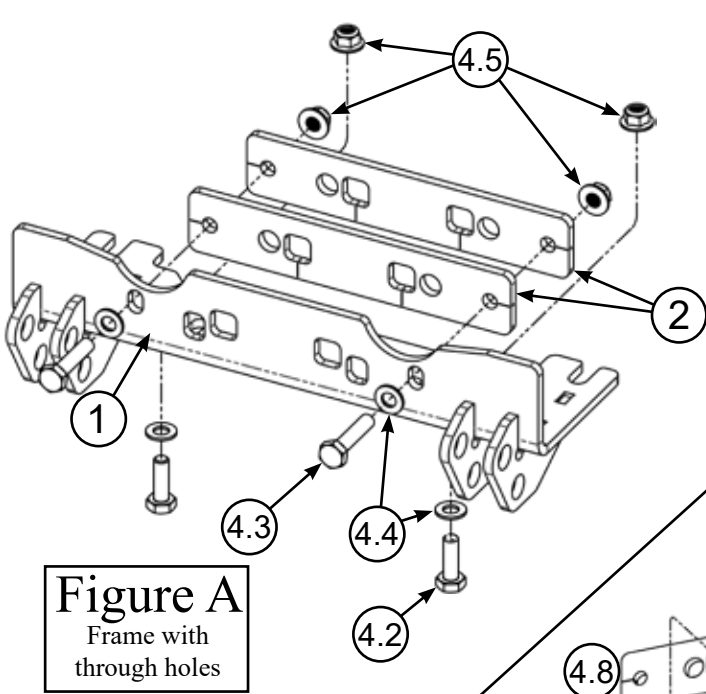


TIER 2 MACHINES

Plow Mount

PART #106640 Rev B



Kit Components:

Item #	Qty.	Description
1	1	Plow Mount (106641)
2	2	Plow Mount Spacer (106647)
3	2	HD Rivnut (106428-R)
4	1	Hardware Kit (HK-445)
4.1	2	M12-1.25 X 25 Hex Bolt GR8.8
4.2	4	M10-1.25 X 30 Hex Bolt GR8.8
4.3	2	M10-1.25 X 45 Hex Bolt GR8.8

Item #	Qty.	Description
4.4	6	M10 Flat Washer
4.5	4	M10-1.25 Hex Nut Flange Nylock
4.6	2	3/8" USS Flat Washer
4.7	2	M12 Flat Washer
4.8	4	M10 Lock Washer
4.9	2	3/8-16 X 1.75" Hex Bolt GR5 Serrated



INSTALLATION INSTRUCTIONS

Notice

Torque bolts to ANSI Specs (or OEM specs if applicable), unless otherwise stated. After the first use and at the start of each season, check torque.

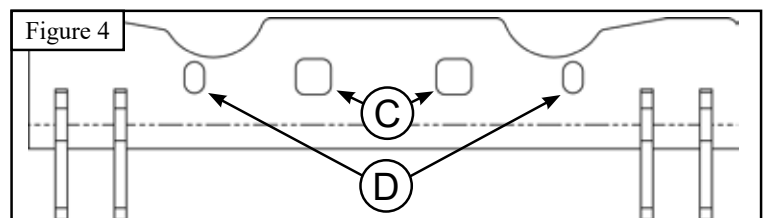
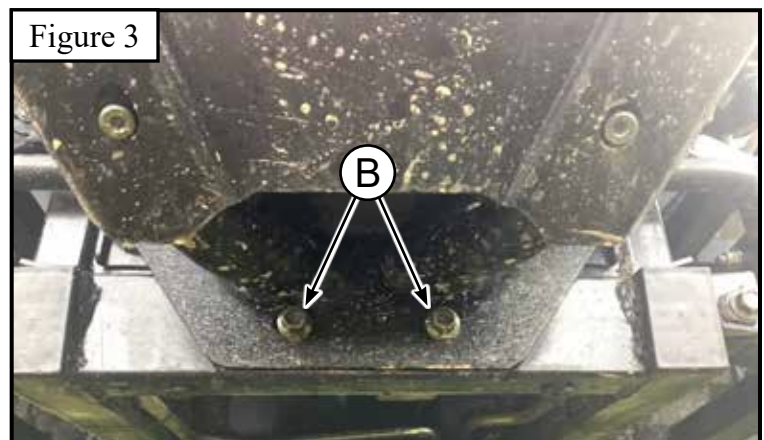
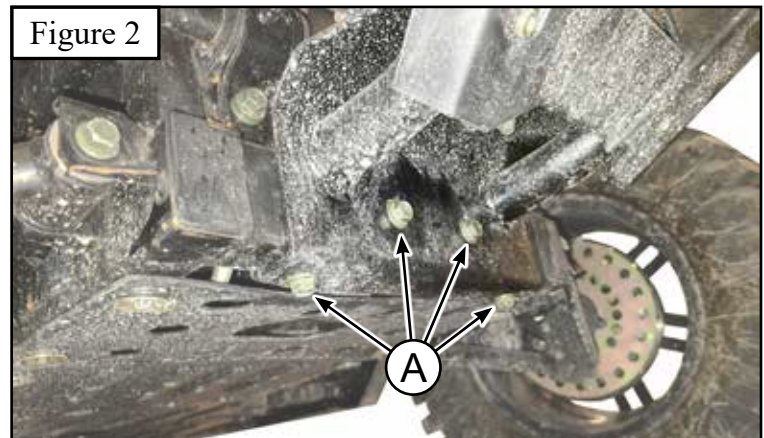
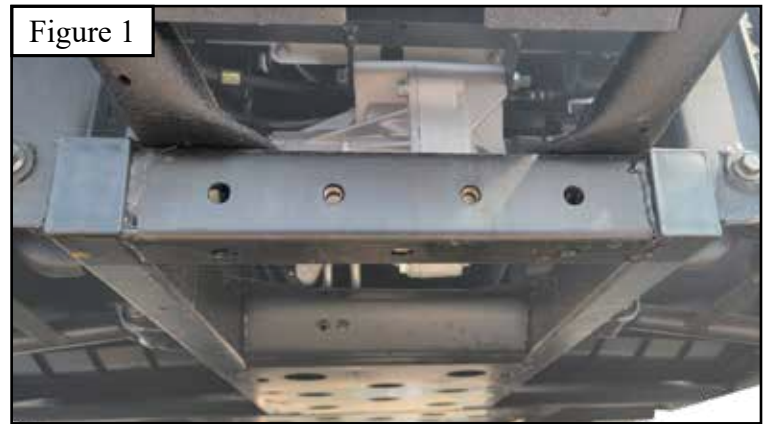
Note: Make sure all hardware needed to complete this mount is in the package. Thoroughly read through and understand the instructions before installing. Bison 500U installation is on page 4, for all other machines, continue below.

Note: This mount can be fitted in multiple orientations depending on how the bumper mounts to the frame.

- If the bumper is attached on the top of the frame only, the mount can bolt directly to the frame (**Figure 1**).
- If the bumper is attached to the front and bottom of the frame. The mount will attach on the outside of the bumper (**Figure 2**).
- If the bumper is attached to the front of the frame only, the mount will go between the frame and bumper (**Figure 3**).

Note: Some machines may come with threaded holes. Machines that are threaded in the frame will use lock washers (4.8) on the M10 bolts. If the frame holes are not threaded, omit the lock washers on the M10 bolts and use lock nuts (4.5) on the backside of the frame. Use the exploded drawing on the front page to help decide how your mount will attach once you know if the frame holes are threaded.

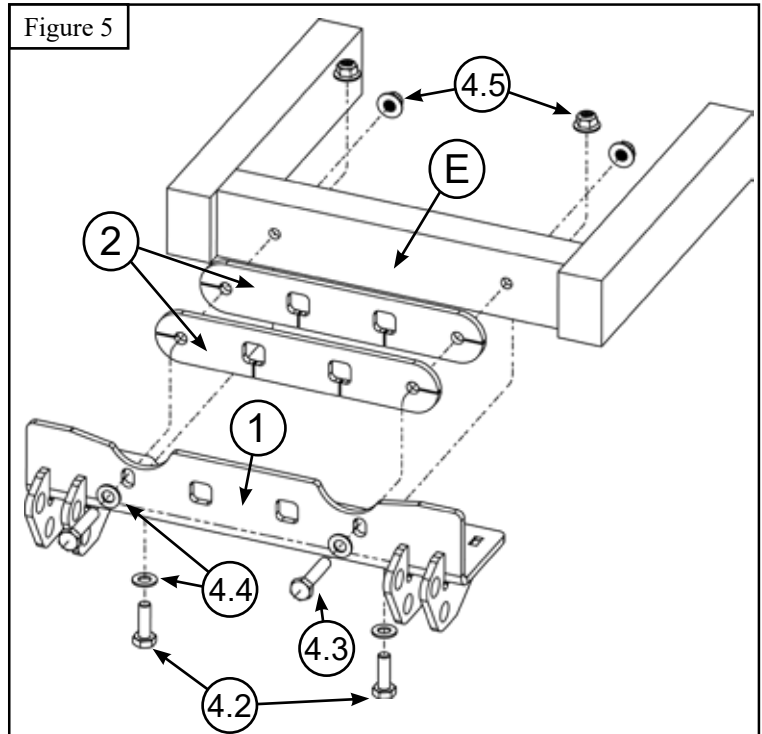
Note: Either hole (C or D) can be used when attaching the mount to the frame as shown in **Figure 4**. If there are not pre-existing holes, use the bottom bolts to secure the mount in place and use the mount as a template, drilling the holes using a 7/16" drill bit.



INSTALLATION INSTRUCTIONS

Instructions for bumper mounted on the top of the frame (**Figure 1**).

1. Remove the skid plate on the front of the machine (if present).
2. Use plow mount (1) and plow mount spacers (2), if needed, in location (E) as shown in **Figure 5**.
3. Use the exploded drawing on the cover of this manual to decide which hardware is needed on your specific machine, depending if your bolt locations are threaded or not.
4. Once all hardware is in place as shown in **Figure 6**, tighten completely.



Instructions for bumper mounted on the front and bottom side of the frame (**Figure 2**).

1. Remove the 4 bolts that attach the bumper to the frame (**Figure 2, Bolts A**).
2. Fasten the plow mount to the outside of the bumper and frame of the machine using correct supplied hardware as shown on the front page of this manual.
3. Once all hardware is started, tighten all hardware evenly



Instructions for bumper mounted on the front of the frame (**Figure 3**).

1. Remove the 2 bolts holding the bumper to the frame (**Figure 3, Bolts B**) and swing the bumper out away from the frame.
2. Place spacers (2), if needed, and mount (1) in location E as shown in **Figure 5**. Let bumper rest in front of the plow mount and, using the correct supplied hardware, get all bolts started as shown in **Figure 8**.
3. Once all hardware is started, tighten all hardware evenly.



INSTALLATION INSTRUCTIONS

Note: Make sure all hardware needed to complete this mount is in the package. Thoroughly read through and understand the instructions before installing.

SSR Bison 500U Installation Instructions (Figure 9).

1. Remove the 2 bolts holding the bumper to the frame (Figure 9, Bolts F). The upper bolts of the bumper may need to be loosened for ease of installation.
2. Using a 9/16" wrench, guide the rivnut (3) into the frame tube over hole (G) as shown in Figure 9.
3. Loosly install Bolts (4.9) through the frame and into the Rivnut (3). These bolts need to have room between the Flanged Bolts (4.9) and frame to slide the mount in. See Figure 10.
4. Using both Spacers (2) between Plow Mount (1) and the frame, slide the mount under the Flanged Bolts (4.9) in the rear. The mount needs to be installed on the inside of the bumper. See Figure 11.
5. Secure the bumper, mount and spacers with bolts (4.3) and washers (4.4). See Figure 11.
6. Tighten all hardware evenly.

